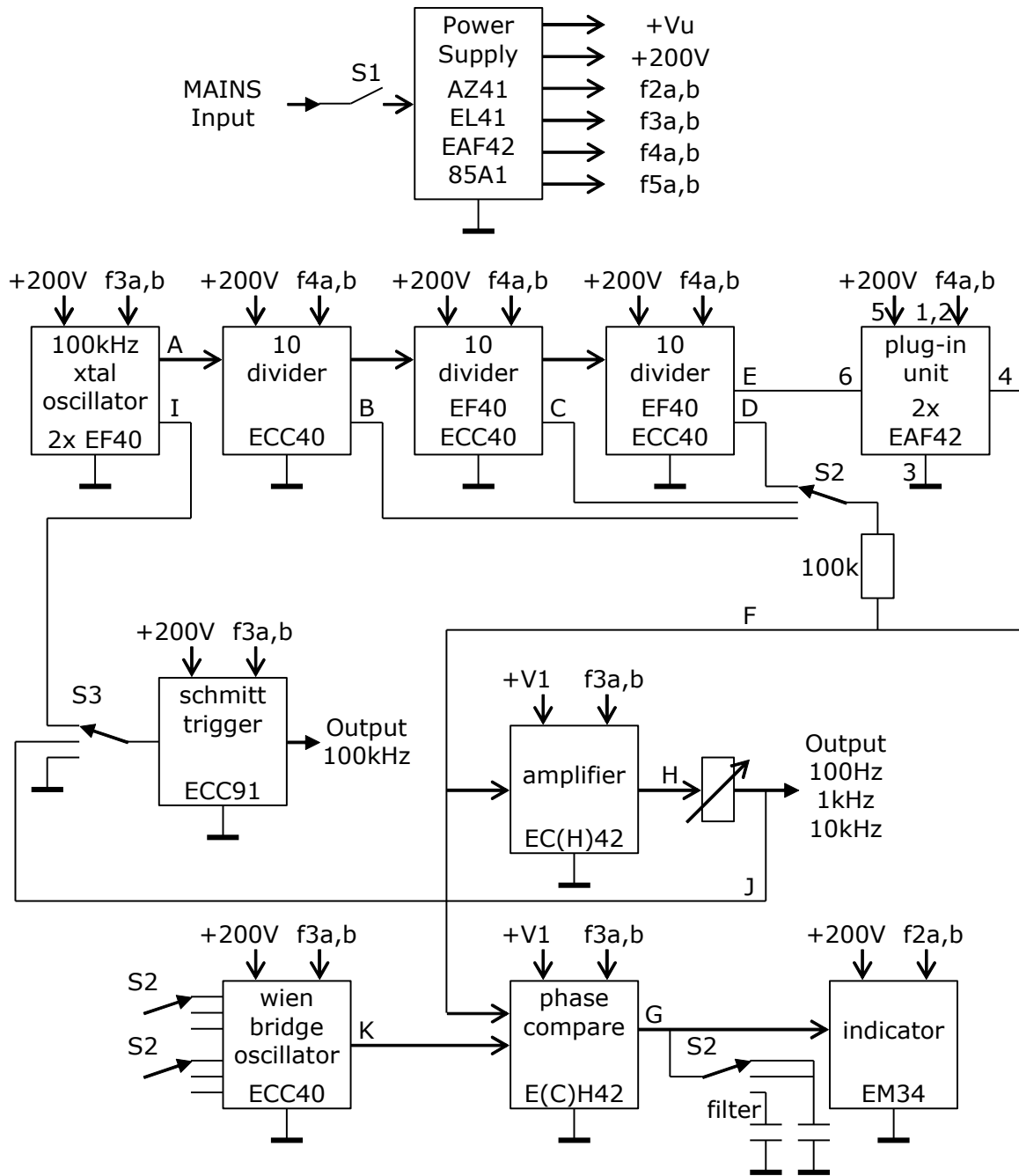


GM8039  
block diagram



Notes:

- Not all tube types are certain. Only the ECC91 was present.
- The schmitt trigger circuit was added later. The 100kHz output was originally direct from the x-tal oscillator (I).