

VP41

TH41

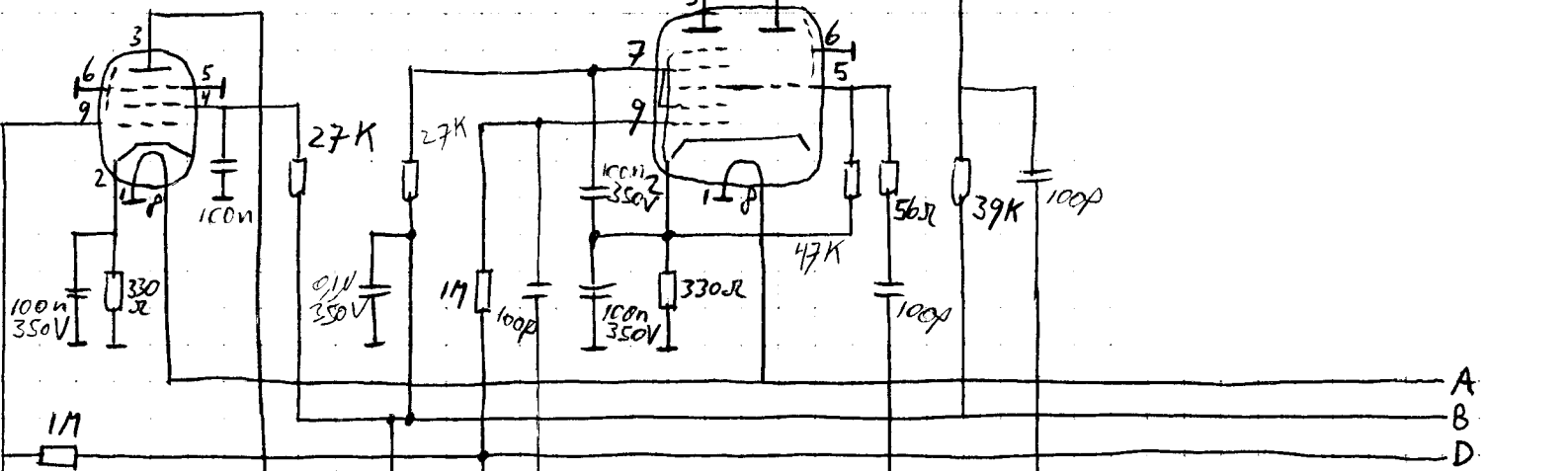
F

E

A

10 nF
350V

220p
2%



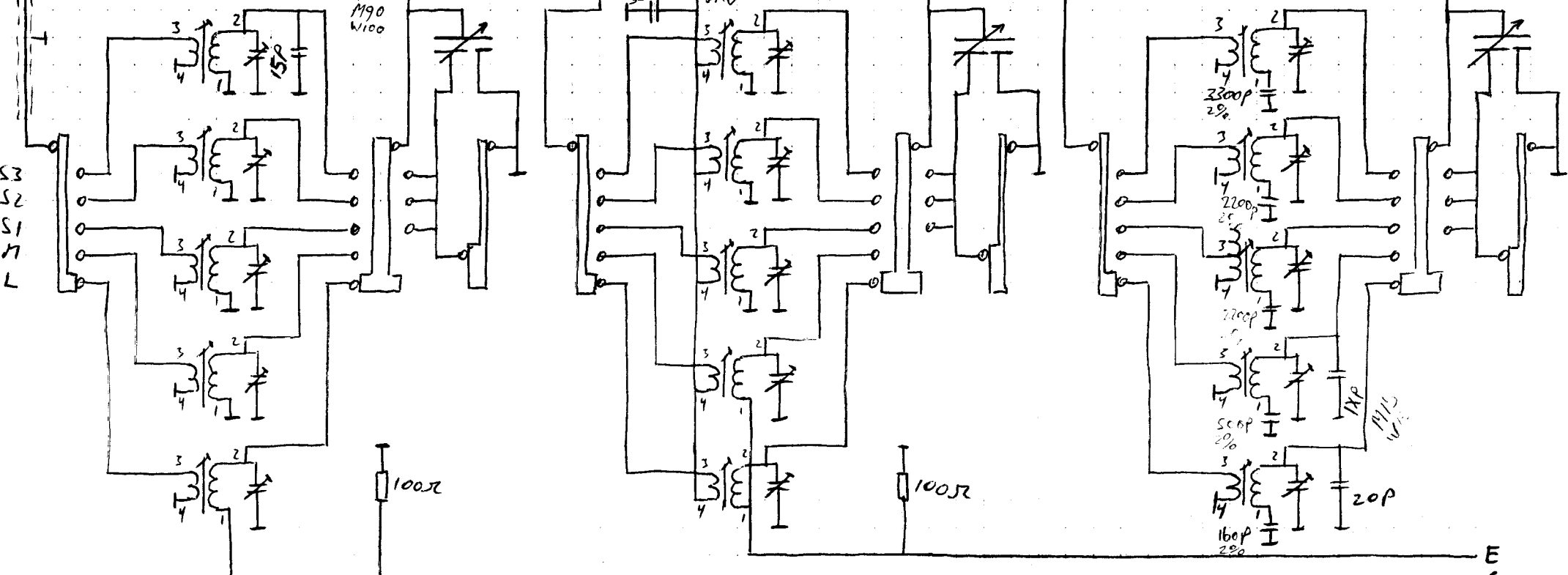
1KX P
1M90
W100

100nF
350V

6K

150pF
500V

S3
S2
S1
M
L

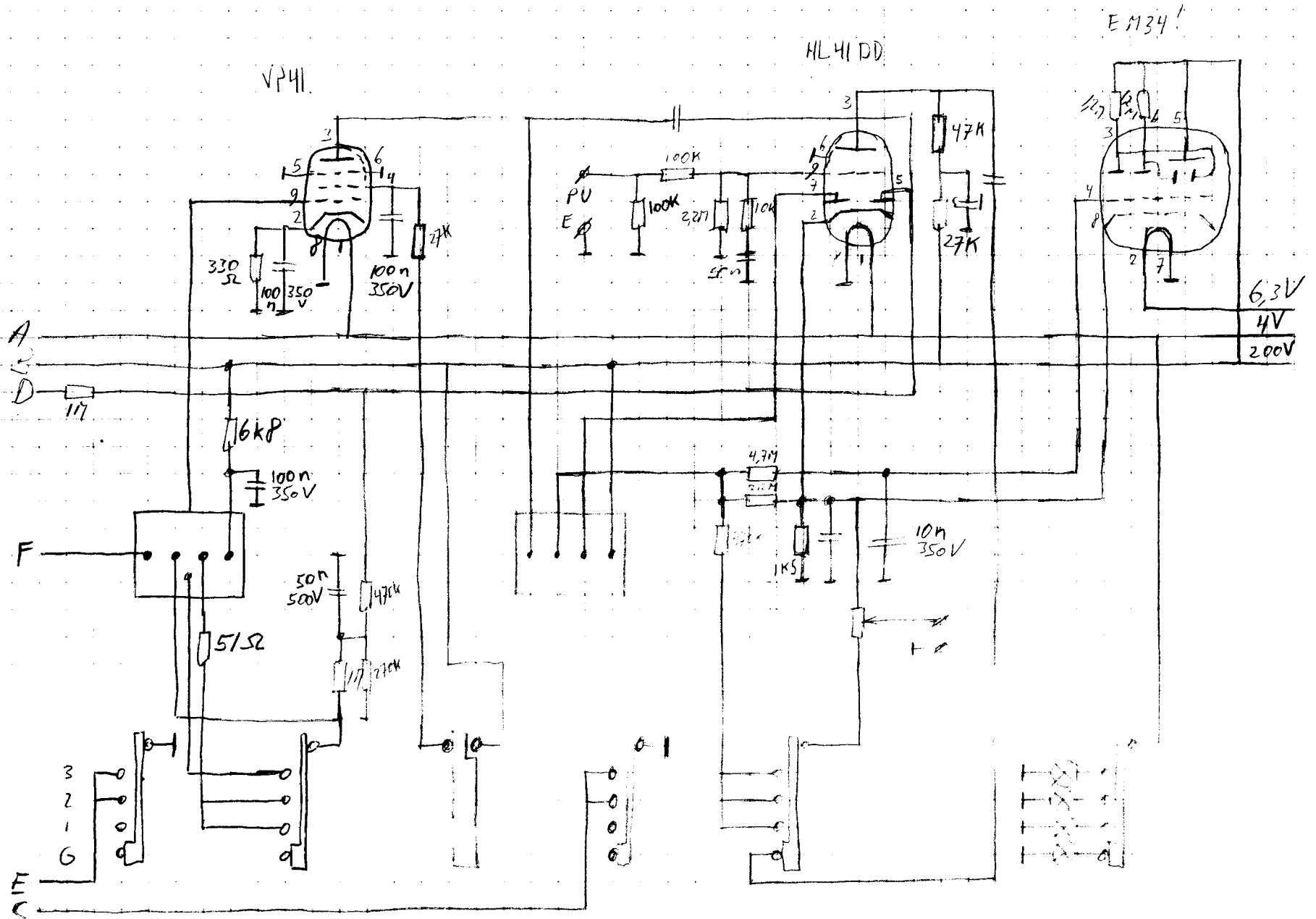


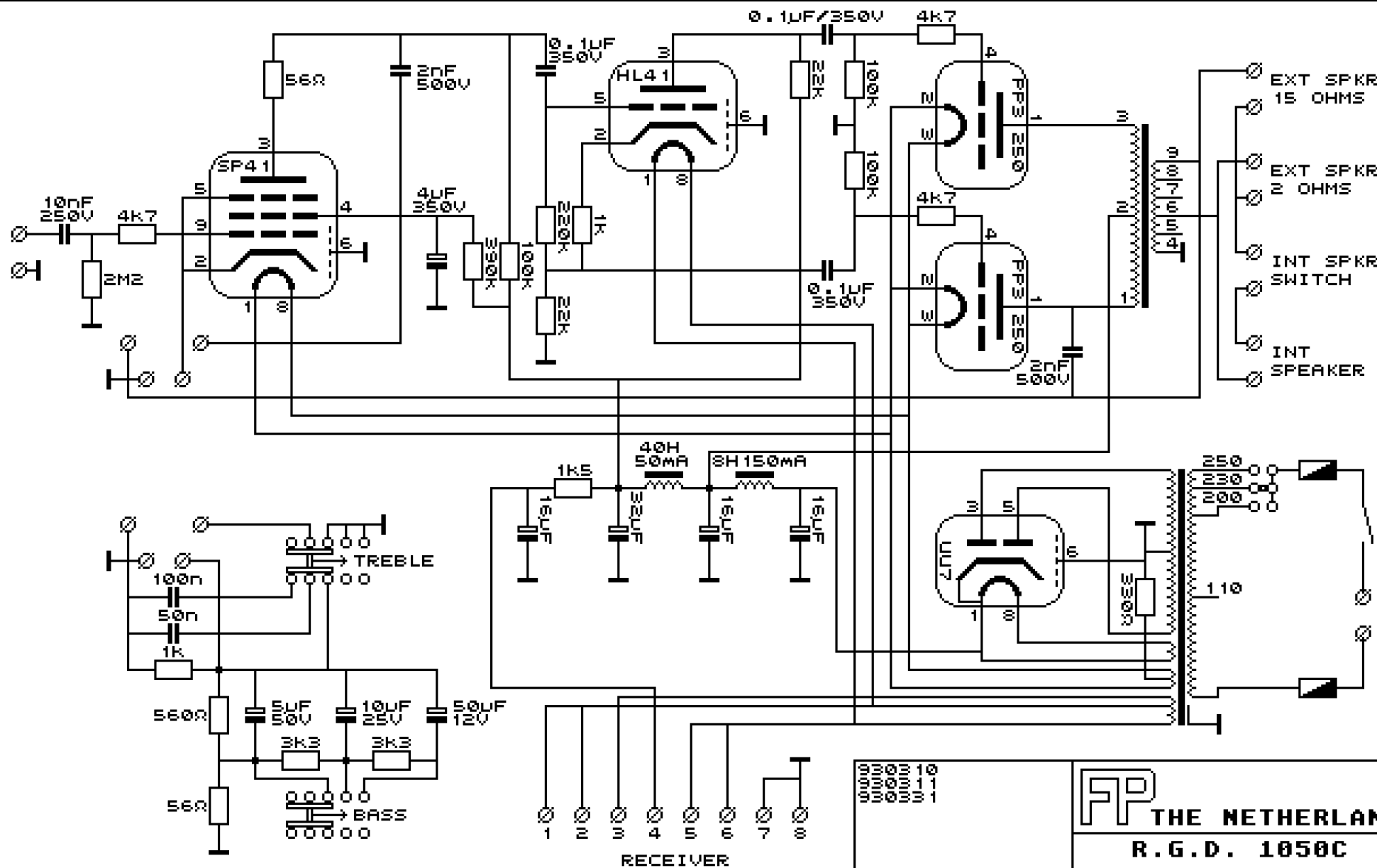
AER

HF

OSC

E
C





RECEIVER

00000
 00000
 00000
 00000
 00000

FP THE NETHERLANDS

R.G.D. 1050C

RGD1