

ADMIRALTY SIGNAL ESTABLISHMENT

Specification AD/CV94/Issue 4. Dated 5.12.46. To be read in conjunction with K1001.	<u>SECURITY</u>	
	<u>Specn.</u> Restricted <i>theater</i>	<u>Valve</u> Unclassified

<u>TYPE OF VALVE</u> :- Diode switch. <u>CATHODE</u> :- Indirectly heated. <u>ENVELOPE</u> :- Metal - glass. <u>PROTOTYPE</u> :- DS.103.	<u>MARKING</u> See K1001/4. <u>Additional Marking</u> :- Serial No.
---	---

<u>RATING</u>		<u>DIMENSIONS AND CONNECTIONS</u>
	Note	
Heater Voltage (V)	6.0	See Fig. 1, Page 3.
Heater Current (approx.) (A)	7.5	
<u>CAPACITANCES (pF.)</u> (approx.)		<u>PACKING</u>
Cac	14	K1001/7. See K1001/7

<u>NOTE</u> A. Measured at 90 Mc/s with Vh = 6.0 V.
--

TESTS

To be performed in addition to those applicable in K1001.

	Test Conditions			Test	Limits		No. Tested	Note
	Vh (V)	Va (V)	Ia (A)		Min.	Max.		
	a	0	-		-	Insulation test		
Va applied using a 500 V megger for 10 secs. Valve must not break down.								
b	6.0	-	-	Ih (A)	6.9	8.2	100%	
c	6.1	Ad-justed	100 (peak)	Va (V)	-	1500	100%	1
Va applied in 10 μ Sec. pulses with recurrence frequency 50 pps.			Characteristic to be maintained for 2 mins.					
d	Valve hot. Effective parallel resistance of valve measured on a 'Q' meter at 90 Mc/s.			H.F. Loss			100%	2
e	6.0	Capacitances of valve at 90 Mc/s.		Cac (pF)	11.5	15.2	100%	

NOTES

- 5% of the valves tested for 2 minutes shall be tested for an additional 30 minutes under the same conditions.
- The loss shall not be greater than that in a given standard which is held by A.S.E. (This standard will be made up from an Erie R.M.A.S. resistor, value 100,000 ohms).

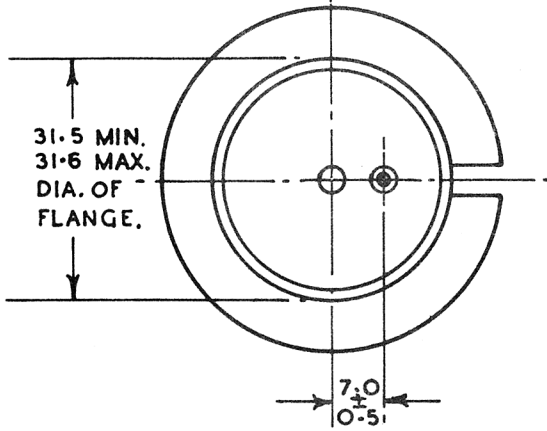


FIG I

