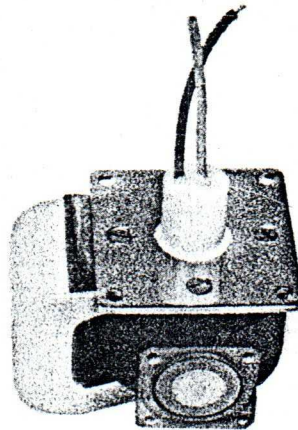


RM-126 / MA-2864

Pulsed X-Band Coaxial Magnetron

Bulletin 1564



DESCRIPTION

Pulsed coaxial magnetron integral magnet conduction cooled. The RM-126 provides efficient fixed frequency operation for X-band applications requiring a minimum peak power of 8.5 kilowatts.

APPLICATIONS

Beacon, navigation systems and airborne weather radar systems.

MICROWAVE ASSOCIATES, WATSONVILLE, INC. d/b/a

RELMAG DIVISION • MICROWAVE ASSOCIATES, INC.

For More Information Contact: **RELMAG DIVISION • Watsonville, California • Phone 408-722-7181**



Microwave Associates, Inc. Burlington, Massachusetts Tel: (617) 272-3000

Western Union Fax
TWX: 710-332-6789
Telex: 94-9464

SPECIFICATIONS

Electrical Characteristics

| | |
|-----------------------------------|-----------------------------|
| Peak Power | 8.5 kW |
| Fixed Frequency | 9345 MHz |
| Pulling Factor (1.5:1 VSWR) | 5 MHz Max. |
| Pushing Factor ($\pm 10\% I_b$) | .5 MHz/A Max. |
| Missing Pulse Rate | 0.1% Max. |
| Side Lobes | 8 dB Min. |
| Thermal Coefficient | 0.25 MHz/ $^{\circ}$ C Max. |

Mechanical Characteristics

| | |
|-------------------|---------------------------------------|
| Size | See Outline Drawing |
| Weight | 3 lbs./1,36 kg. |
| Mounting Position | Any |
| Output Connector | Waveguide Mates with UG/39U Flange |

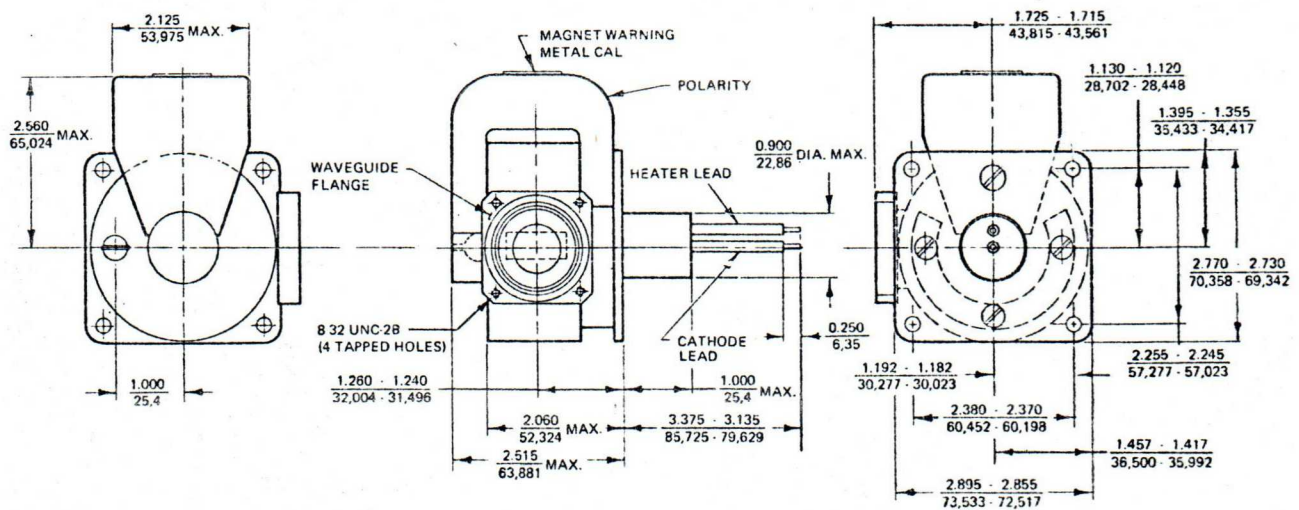
Operating Conditions

| | |
|----------------|----------------|
| Heater Voltage | 6.3V |
| Heater Current | 1.7 Max. |
| Preheat Time | 45 Sec. Min. |
| Pulse Voltage | 4000 to 4700 V |
| Pulse Current | 4.7 A |
| Duty Cycle | .001 Max. |

Environmental Characteristics

| | |
|-----------------------------|-----------------------------------|
| Cooling | Conduction and/or Convection |
| Ambient Temperature | -54° C to 85° C |
| Altitude | 50,000 Ft./15240 m |
| Vibration (10 to 1,000 cps) | 8 G |
| Shock (11 ± 1 ms) | 10 G |

OUTLINE DRAWING



NOTE
INCH
MM