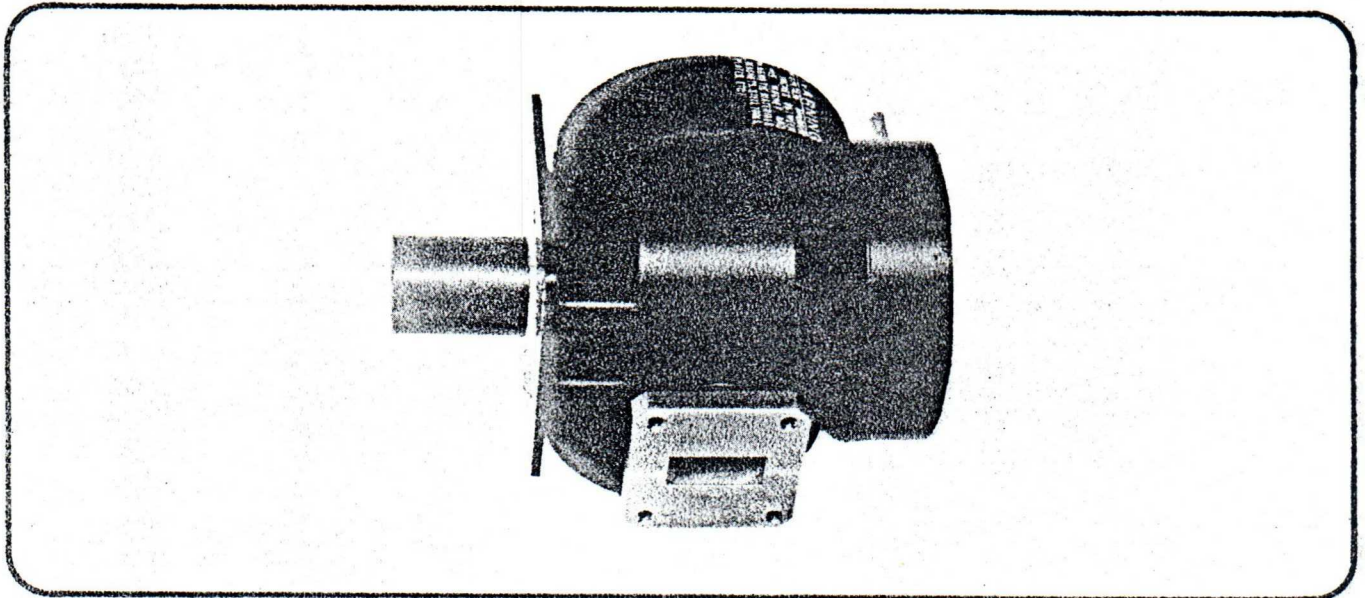


RM-128/MA-2867

Pulsed X-Band Coaxial Magnetron

Bulletin 1566



DESCRIPTION

A tunable coaxial magnetron. The RM-128 provides efficient tunable frequency operation for X-band applications requiring a minimum peak power of 10 kilowatts.

APPLICATIONS

Beacon and navigation systems, radar detection systems, missile ground support equipment, transponders, and airborne radar equipment.

MICROWAVE ASSOCIATES, WATSONVILLE, INC. d/b/a

RELMAG DIVISION • MICROWAVE ASSOCIATES, INC.

For More Information Contact: **RELMAG DIVISION • Watsonville, California • Phone 408-722-7181**



Microwave Associates, Inc. Burlington, Massachusetts Tel. (617) 272-3000

Western Union Fax
TWX: 710-332-6789
Telex: 94-9464

SPECIFICATIONS

Electrical Characteristics

Peak Power	10 kW
Tunable Frequency	9250-9800 MHz
Pulling Factor (1.5:1 VSWR)	8 MHz Max.
Pushing Factor ($\pm 10\%$ ib)	1 MHz/A Max.
Missing Pulse Rate	0.5 Max.
Side Lobes	8 dB Min.
Thermal Coefficient	.029 MHz/ $^{\circ}$ C Max.

Mechanical Characteristics

Size	See Outline Drawing
Weight	4-1/2 lbs./2,041 g Nom.
Mounting Position	Any
Output Connector	Waveguide

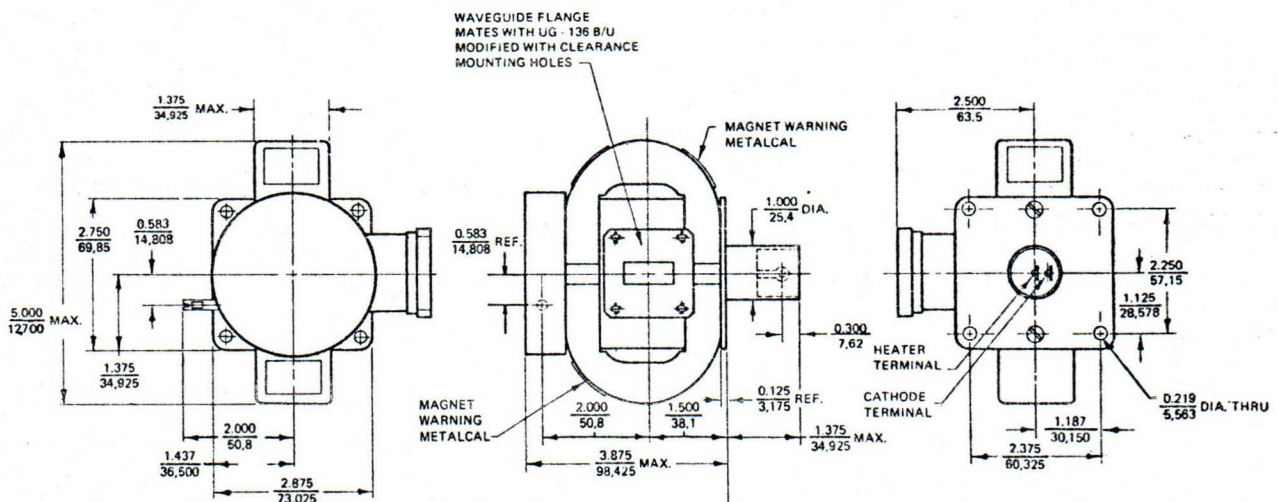
Operating Conditions

Heater Voltage	6.3V
Heater Current	1.8 A Max.
Preheat Time	60 Sec. Min.
Pulse Voltage	5000-5500 V
Pulse Current	5.0 A
Anode-Cathode Capacitance	20 pF Nom.
Duty Cycle	.0035 Ratio Max.

Environmental Characteristics

Cooling	Conduction and/or Air Cooled
Ambient Temperature	-55 $^{\circ}$ C to 85 $^{\circ}$ C
Altitude	35,000 Ft./15240 m
Vibration (20-1000 Hz)	10 G
Shock (11 \pm 1 ms)	100 G

OUTLINE DRAWING



NOTE:

INCH
MM