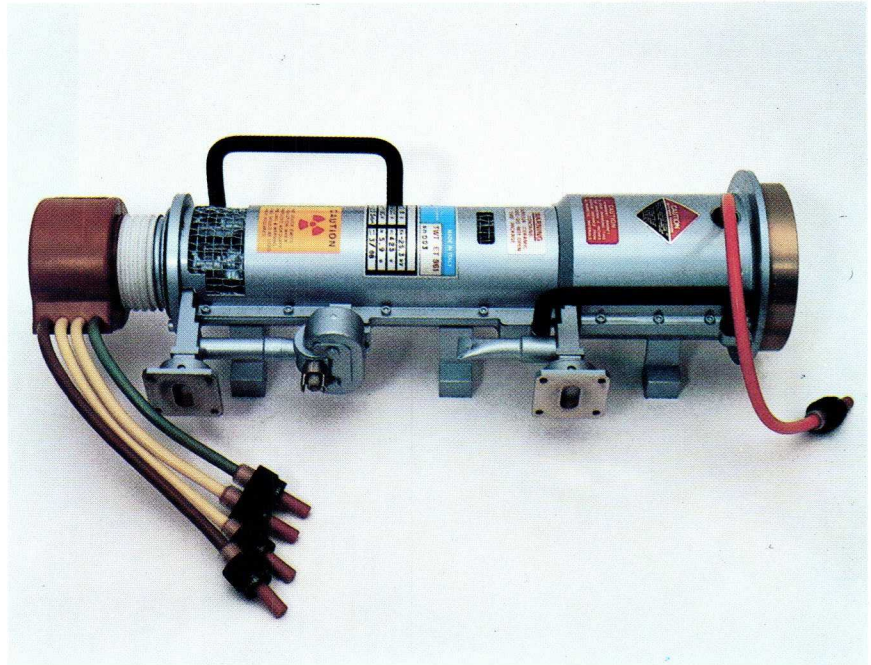


ET 961 X-BAND PULSED TWT

The ET 961 is a coupled cavities, pulsed amplifier with non intercepting grid, PPM focusing, forced air cooling. It is capable of providing a minimum of 18 kW peak power output over the frequency range of 8.6 to 9.5 GHz. These technical data should be used as a guide for equipment designers. For any operating condition other than those recommended in this data sheet, the manufacturer should be consulted.

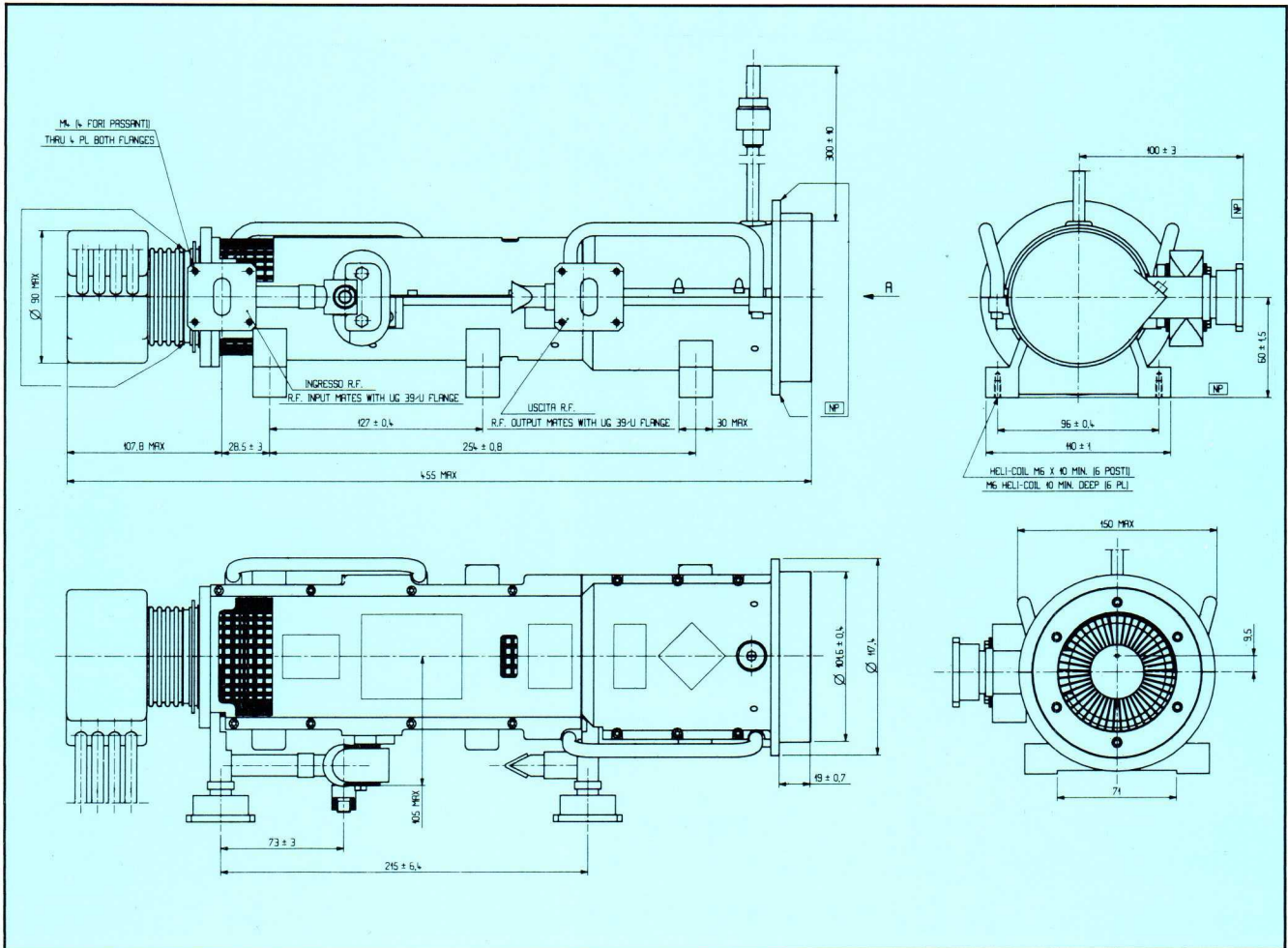


▲ X-BAND PULSED TWT ET 961

Typical operations

	Min.	Typ.	Max	Unit
Frequency	8.6		9.5	GHz
Output power		25		kW
Saturated gain	48	50		dB
Efficiency		17%		
Duty			1%	
Heater voltage (nameplate) dc or ac	10		11.5	V
Heater current		3.5	4.0	A
Cathode voltage (nameplate)	-26		-23	kV
Cathode current (nameplate)			7	A
Body voltage		ground		
Body current (with R.F.)			2	A
Collector voltage		ground		kV
Collector current (with R.F.)			7	A
Grid drive voltage (respect to the cathode)	275	400	425	V
Grid bias voltage (respect to the cathode)		-400		V
Grid current		10	60	mA
Ion pump voltage		3.0		kV
Ion pump current			<5	μA

(Dimensions in mm)



Mechanical data

Mounting position	any
Weight	6.5 kg
Cooling	forced air
Flow rate	40 l/s
Pressure drop	70 mm/H ₂ O
Dimensions	see the outline drawing
R.F. flanges	UG-39/U