

Serial No.

Page 1. (No. of pages :- 3)
MINISTRY OF SUPPLY (S.R.D.E.)

VALVE ELECTRONIC

CV117

Specification MOS/CV117/5 Dated : 25.9.45. To be read in conjunction with K1001.	<u>SECURITY</u> <u>Specification</u> <u>Valve</u> <u>Secret</u> <u>Secret</u>
--	---

→ Indicates a change. *Restricted*

<u>TYPE OF VALVE</u> : Gas discharge cell <u>CATHODE</u> : None <u>ENVELOPE</u> : Glass with disc seals <u>COMMERCIAL PROTOTYPE</u> : E.1417	<u>MARKING</u> As in K1001/4
	<u>ELECTRODE CONNECTIONS</u> <u>AND DIMENSIONS</u> See drawing page 3
<u>RATING</u> Priming voltage - 850 V minimum. The valve, with a co-axial tuned circuit, is intended for use as a protective device.	

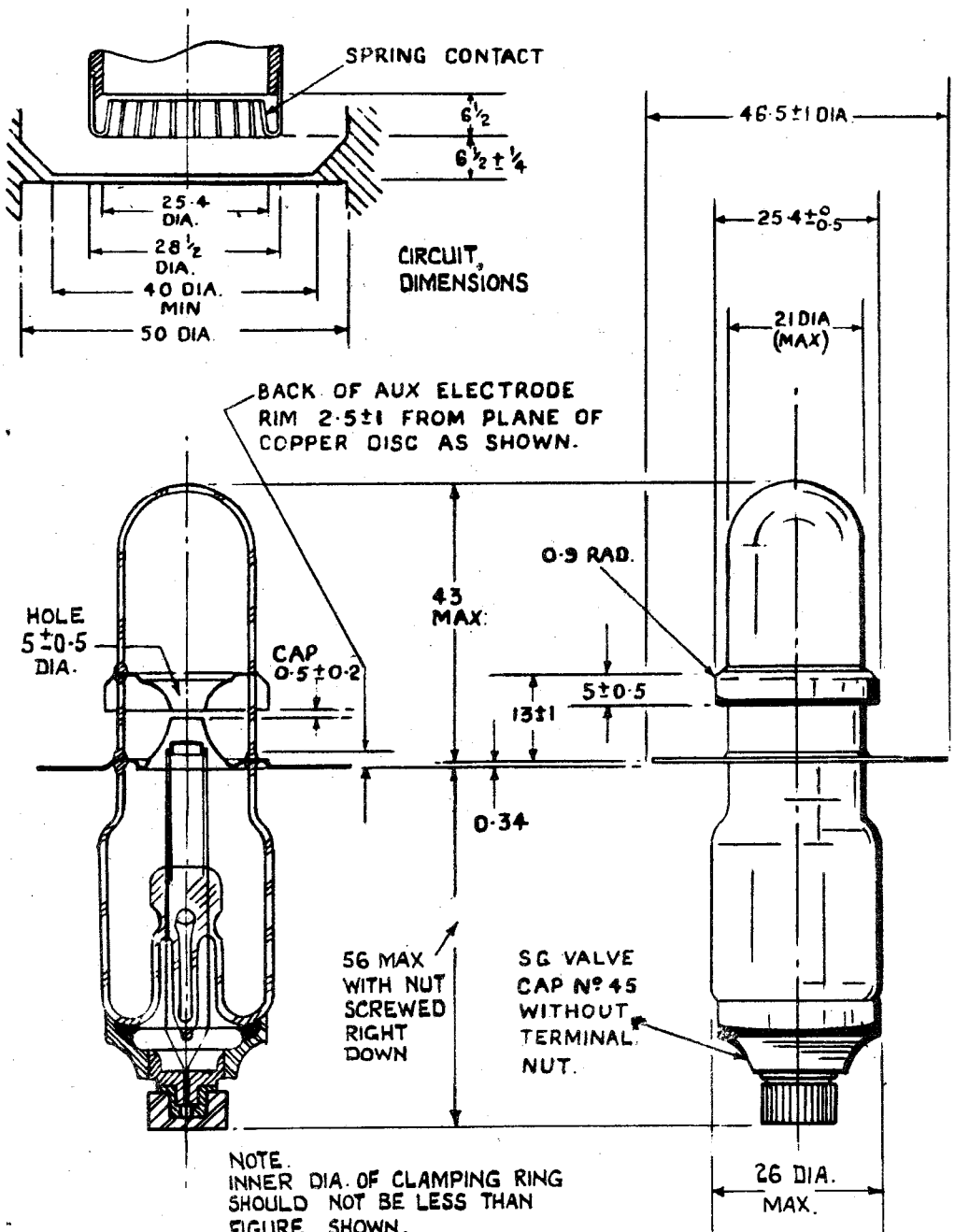
TESTS

To be performed in addition to those applicable in K1001.

	Test Conditions and Test	Limits		No. Tested
		Min.	Max.	
a	A voltage of - 800V is to be applied through a stabilising resistance to the primer with respect to the main electrodes (or to the main electrode nearest to the primer, the remaining electrode being left unconnected). A glow discharge shall result. (See Note 1).			100%
b	The internal spacing and shape of electrodes are to be as shown in the drawing.			T.A.
c	The gas filling is to be argon to a pressure of 1mm Hg (+ 20%) plus water vapour to a pressure of 3mm Hg (+ 20%)			T.A. (Note 2)

NOTES

1. This test to be carried out after a shelf life of 48 hrs. minimum .
2. Process of filling to be to the satisfaction of the Approving Authority at the Type Approval Stage.



DIMENSIONS IN MMS.