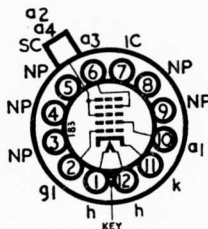


Current Equipment Type

TYPE C17SM B12A (DUODECAL) BASE



The Brimar C17SM is a rectangular 90° deflection angle teletube with electrostatic focus, an aluminised screen and external conductive coating. The screen colour is white with a grey glass faceplate with a transmission of approximately 70 per cent.

RATINGS

Heater Voltage	6.3 volts
Heater Current	0.3 amp.
Final Anode Voltage ($V_{a2} + 4$)	18 kilovolts abs. max.
Final Anode Voltage ($V_{a2} + 4$)	12 kilovolts min.
Focus Anode Voltage (V_{a3})	—500 to 1,000 volts max.
First Anode Voltage (V_{a1})	500 volts max.
First Anode Voltage (V_{a1})	250 volts min.
Grid Voltage (V_g) Peak	2 volts max.
Heater to Cathode Voltage (V_{hk})	Cathode Positive	200 volts max.
Heater to Cathode Voltage (V_{hk})	Cathode Positive *	410 volts max.
Heater to Cathode Voltage (V_{hk})	Cathode Negative	180 volts max.
Diagonal Deflection Angle	90° approx.

* During warm-up, for a period not exceeding 45 seconds.

OPERATING CHARACTERISTICS

Final Anode Voltage	16 kilovolts
Focus Anode Voltage	300 volts
First Anode Voltage	300 volts
Peak to Peak Modulating Voltage for Beam Current of	30 volts
150 μ A	30 volts
Grid Voltage to cut-off Beam Current	—33 to —77 volts

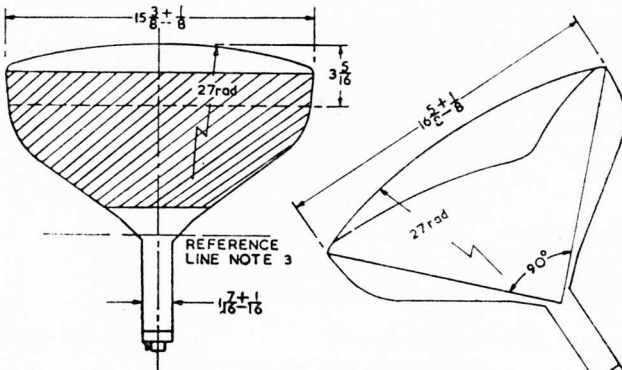
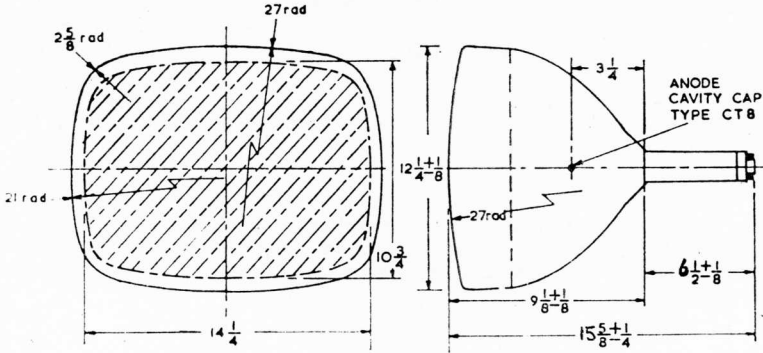
For characteristic curve refer to type C215M.

INTER-ELECTRODE CAPACITANCES

Grid to all	9.0 pF max.
Cathode to all	6.0 pF max.
Final Anode to External Coating	1,500 pF max.

NOTES:

- No harmful X-ray radiation is produced by this tube when operated at final anode voltages below 16 kV. At voltages above 16 kV some shielding may be necessary to protect against prolonged exposure at close range.
- Shift magnets when used should be mounted in such a position that they do not interfere with the passage of the electron beam through the gun. This position is normally immediately behind the scanning coils.



NOTES

- 1 ALL DIMENSIONS IN INCHES
- 2 ANODE CAVITY CAP IN LINE $\pm 30^\circ$ WITH VACANT BASE PIN No 6
- 3 REFERENCE LINE DETERMINED BY POSITION OF GAUGE RETMA No 116

(see page 299)

