

# ML-6422 ML-6423 ML-6423F

## General Purpose Triodes

18 kW CW  
900 kW Pulse Power



ELECTRON TUBE SPECIALIST

### DESCRIPTION

The ML-6422 and ML-6423 are general-purpose high-mu triodes suitable for industrial heating, AM broadcasting and pulse modulation. These tubes feature coaxial mounting structures providing high-dissipation, low-inductance rf electrode terminals. The cathode of each type consists of sturdy, self-supporting, stress-free, thoriated-tungsten filaments.

The ML-6422 has a water-cooled, heavy-wall anode capable of dissipating 20 kW. The ML-6423 has a forced-air-cooled, heavy-wall anode with high-efficiency disc fins. The

ML-6423-F has an anode fin construction which fits tube supports used with types 892-R, 5699, etc.

These tubes will operate with plate voltages up to 12.5 kV in CW operation or 35 kV in pulse modulator service. Maximum ratings apply at frequencies up to 30 Mc. Useful power output can be obtained at frequencies up to 70 Mc with reduced ratings. In a typical pulse modulator application these tubes are capable of switching 900 kW.

### GENERAL CHARACTERISTICS

#### Electrical

Filament Voltage .....	7.0	Volts
Filament Current .....	85	Amps
Filament Starting Current, maximum .....	400	Amps
Filament Cold Resistance .....	0.0095	Ohms
Amplification Factor .....	90	

#### Interelectrode Capacitances:

	ML-6422	ML-6423	ML-6423-F
Grid-Plate .....	25	32	26 $\mu\mu\text{f}$
Grid-Filament .....	32	32	32 $\mu\mu\text{f}$
Plate-Filament .....	1.5	1.5	1.9 $\mu\mu\text{f}$

#### Mechanical

Mounting Position .....	Vertical, anode down
Type of Cooling — ML-6422 .....	Water and forced-air†
Water flow on anode, minimum for 20 kW dissipation .....	7 gpm
Maximum outgoing water temperature .....	70 °C
Type of Cooling — ML-6423, ML-6423-F .....	Forced-air
Air flow on anode	
ML-6423, minimum for 12.5 kW dissipation .....	Pressure: 710 cfm at 4.7" water*
ML-6423-F, minimum for 10 kW dissipation .....	Exhaust: 815 cfm at 5.1" water*
Maximum incoming air temperature .....	750 cfm
Maximum Glass Temperature .....	50 °C
Net Weight, approximately	165 °C†
ML-6422 .....	10 lbs.
ML-6423 .....	15 lbs.
ML-6423-F .....	50 lbs.

\*When used with Machlett ML-6423 Air Distributor F-17797.

†At frequencies up to 15 Mc, normal cabinet ventilation should be sufficient to cool glass portion of tube. At higher frequencies or high ambient temperatures, auxiliary air flow of 25-50 cfm may be required and should be distributed to maintain uniform glass temperature, not greater than 165°C, around the circumference of the seals.

**ML-6422**  
**ML-6423**  
**ML-6423-F**

**MAXIMUM RATINGS AND TYPICAL OPERATING CONDITIONS**

(Continuous Commercial Service)

PAGE 2

VALUES APPLY TO ALL THREE TYPES UNLESS OTHERWISE SPECIFIED

**Audio-Frequency Power Amplifier and Modulator**  
**Class B**

Maximum Ratings, Absolute Values

D-C Plate Voltage .....	12500	volts
Max.-Signal D-C Plate Current* .....	2.5	amps
Max.-Signal Plate Input* .....	30	kW
Plate Dissipation*		
ML-6422 .....	20	kW
ML-6423 .....	12.5	kW
ML-6423-F .....	10	kW

Typical Operation (Values are for two tubes)

D-C Plate Voltage .....	9000	10000	volts
D-C Grid Voltage .....	-50	-50	volts
Peak A-F Grid to Grid Voltage .....	1040	1120	volts
Peak A-F Plate to Plate Voltage .....	14800	16000	volts
Zero Signal D-C Plate Current .....	0.4	0.4	amp
Max.-Signal D-C Plate Current .....	4.0	4.6	amps
Effective Load Resistance, Plate to Plate .....	4700	4400	ohms
Max.-Signal Driving Power, approximate .....	160	170	watts
Max.-Signal Power Output, approximate .....	23	29	kW

\* Average over any audio-frequency cycle of sine wave form.

**Radio Frequency Power Amplifier**  
**Class B**

Carrier conditions per tube for use with a maximum modulation factor of 1.0.

Maximum Ratings, Absolute Values

D-C Plate Voltage .....	12500	volts
D-C Plate Current .....	1.8	amp
Plate Input		
ML-6422 .....	22	kW
ML-6423 .....	19	kW
ML-6423-F .....	15	kW
Plate Dissipation		
ML-6422 .....	20	kW
ML-6423 .....	12.5	kW
ML-6423-F .....	10	kW

Typical Operation

D-C Plate Voltage .....	12000	volts
D-C Grid Voltage .....	-80	volts
Peak R-F Grid Voltage .....	235	volts
Peak R-F Plate Voltage .....	5200	volts
D-C Plate Current .....	0.74	amp
D-C Grid Current .....	0	mA
R-F Load Resistance .....	4500	ohms
Driving Power, approximate§ .....	40	watts
Power Output, approximate .....	3.0	kW

§ At crest of audio-frequency cycle with modulation factor of 1.0.

**Plate-Modulated R-F Power Amplifier**  
**Class C Telephony**

Carrier conditions per tube for use with maximum modulation factor of 1.0.

Maximum Ratings, Absolute Values

D-C Plate Voltage .....	9000	volts
D-C Grid Voltage .....	-1400	volts
D-C Plate Current .....	1.8	amps
D-C Grid Current .....	0.50	amp
Plate Input .....	16	kW
Plate Dissipation		
ML-6422 .....	13	kW
ML-6423 .....	8	kW
ML-6423-F .....	7	kW

Typical Operation

D-C Plate Voltage .....	9000	volts
D-C Grid Voltage .....	-600	volts
Peak R-F Grid Voltage .....	985	volts
Peak R-F Plate Voltage .....	8000	volts
D-C Plate Current .....	0.85	amp
D-C Grid Current .....	0.14	amp
R-F Load Resistance .....	6500	ohms
Driving Power, approximate .....	135	watts
Power Output, approximate .....	6.3	kW

**R-F Power Amplifier and Oscillator**  
**Class C Telegraphy**

Key-down conditions per tube without amplitude modulation†

Maximum Ratings, Absolute Values

D-C Plate Voltage .....	12500	volts
D-C Grid Voltage .....	-1400	volts
D-C Plate Current .....	2.5	amps
D-C Grid Current .....	0.50	amp
Plate Input .....	30	kW
Plate Dissipation		
ML-6422 .....	20	kW
ML-6423 .....	12.5	kW
ML-6423-F .....	10	kW

Typical Operation

D-C Plate Voltage .....	10000	10000	12000	volts
D-C Grid Voltage .....	-400	-400	-400	volts
Peak R-F Grid Voltage .....	900	1050	970	volts
Peak R-F Plate Voltage .....	8500	8200	10200	volts
D-C Plate Current .....	1.6	2.4	2.1	amps
D-C Grid Current .....	0.18	0.29	0.20	amp
R-F Load Resistance .....	3000	2000	2900	ohms
Driving Power, approximate ..	160	300	200	watts
Power Output, approximate ...	11.9	17.1	18.2	kW

† Modulation essentially negative may be used if the positive peak of the envelope does not exceed 115% of the carrier conditions.

**CHARACTERISTIC RANGE VALUES FOR EQUIPMENT DESIGN**

Characteristics	Conditions	Limits		
		Minimum	Bogey	Maximum
Grid Voltage	$e_b = 1400$ volts; $i_b = 9.0$ amps	$e_c =$ —	—	800 volts
Grid Current	$e_b = 1400$ volts; $i_b = 9.0$ amps	$i_c =$ —	—	4.0 amps
Plate Voltage	$E_c = 0$ Vdc; $I_b = 0.50$ Adc	$E_b =$ 6.6	7.4	8.2 kVdc
Plate Voltage	$E_c = -50$ Vdc; $I_b = 0.50$ Adc	$E_b =$ 10.7	11.9	13.1 kVdc
Grid Voltage	$E_b = 12.0$ kVdc; $I_b = 0.02$ Adc	$E_c =$ -100	-130	-160 Vdc
Plate Power Output	$E_b = 12.0$ kVdc; $I_b = 2.1$ Adc	$P_o =$ 15.5	—	— kW
	$E_c = -400$ Vdc; $I_c = 0.20$ Adc			

**MAXIMUM FREQUENCY RATINGS**

Maximum ratings apply up to 30 Mc except as noted. These tubes may be operated at higher frequencies provided the maximum values of plate voltage and power input are reduced according to the tabulation on the right (other maximum ratings are the same as shown above.) Special attention should be given to adequate ventilation of the bulb at the higher frequencies.

Frequency .....	30	50	70 Mc
Percent Maximum Rated Plate Voltage and Plate Input			
Class B .....	100	90	70
Class C .....	100	75	60

COOLING CHARACTERISTICS — ML-6422

**Pulse Modulator or Pulse Amplifier ‡**

Maximum Ratings, Absolute Values

D-C Plate Voltage	35	kV
Peak Plate Voltage	35	kv
Peak Negative Grid Voltage	-3500	volts
Pulse Cathode Current	35	amps
Grid Dissipation	300	watts
Plate Dissipation	12.5	kW
Pulse Duration, approximate*	1000	μsec
Duty Factor*	0.03	

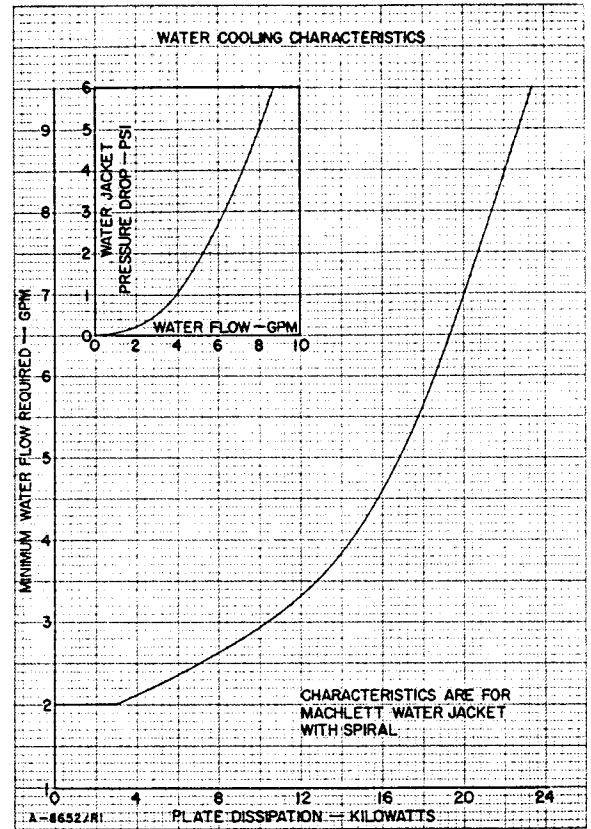
Typical Operation

D-C Plate Voltage	35	kV
D-C Grid Voltage	-500	volts
Pulse Positive Grid Voltage	1900	volts
Pulse Plate Current	30	amps
Pulse Grid Current	4.5	amps
Pulse Driving Power	11	kw
Pulse Power Output	900	kw
Plate Output Voltage	30	kv

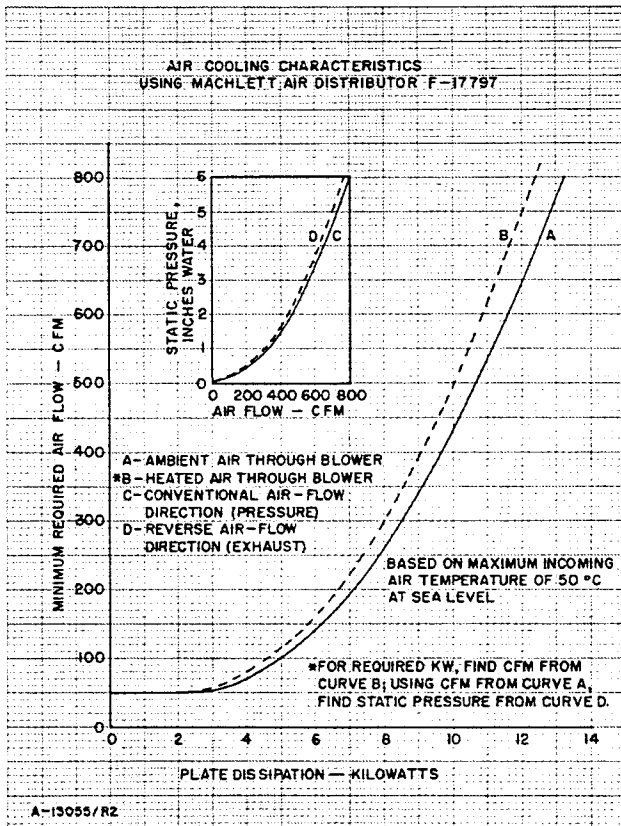
‡When ordering for this application add the suffix "P" to the Machlett tube number.

\*For applications requiring longer pulse duration or higher duty factors, consult the Machlett Engineering Department.

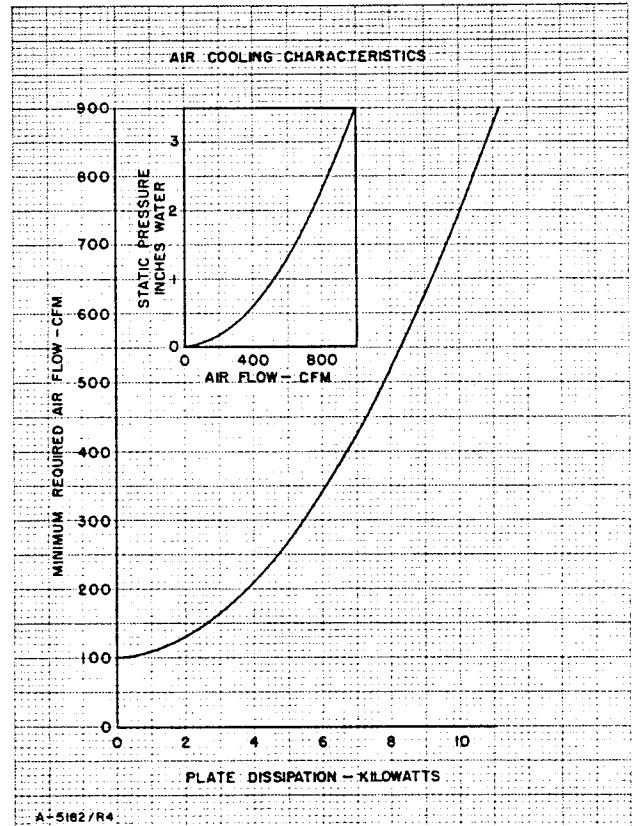
**WARNING:** Operation of this tube may produce x-rays. Adequate rayproof shielding must therefore be provided in the equipment.

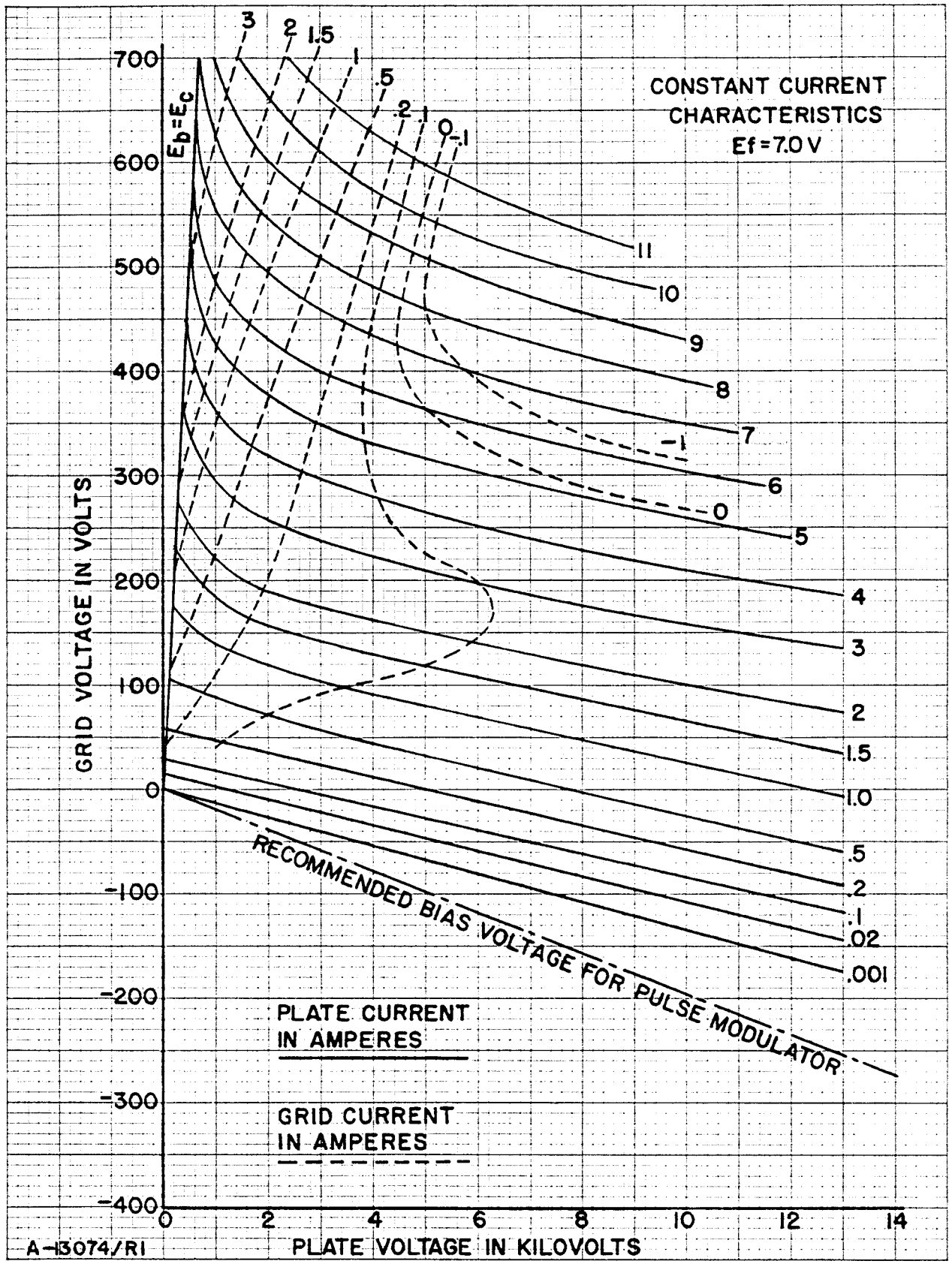


COOLING CHARACTERISTICS — ML-6423



COOLING CHARACTERISTICS — ML-6423-F





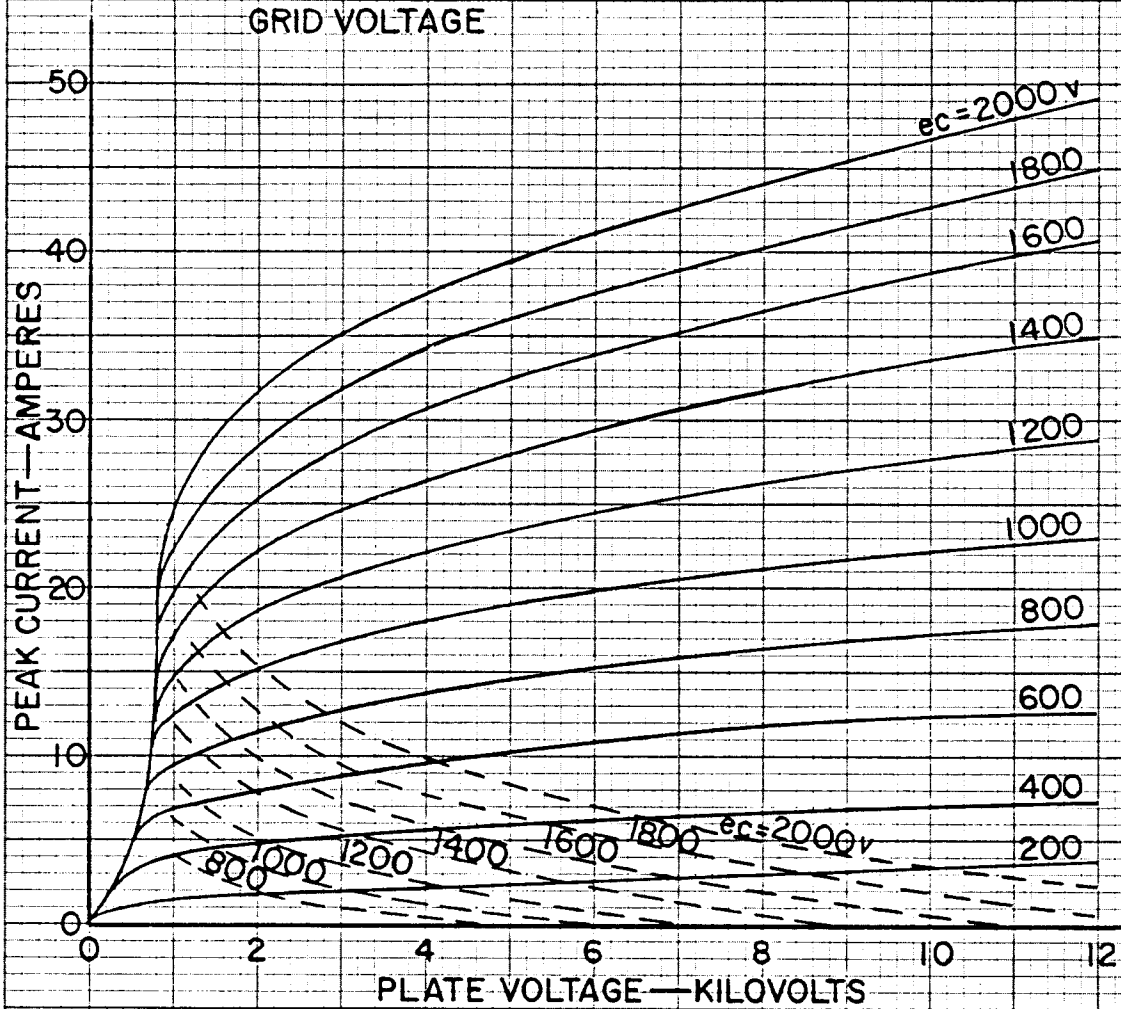
# CONSTANT GRID-VOLTAGE CHARACTERISTICS

$E_f = 7.0$  VOLTS

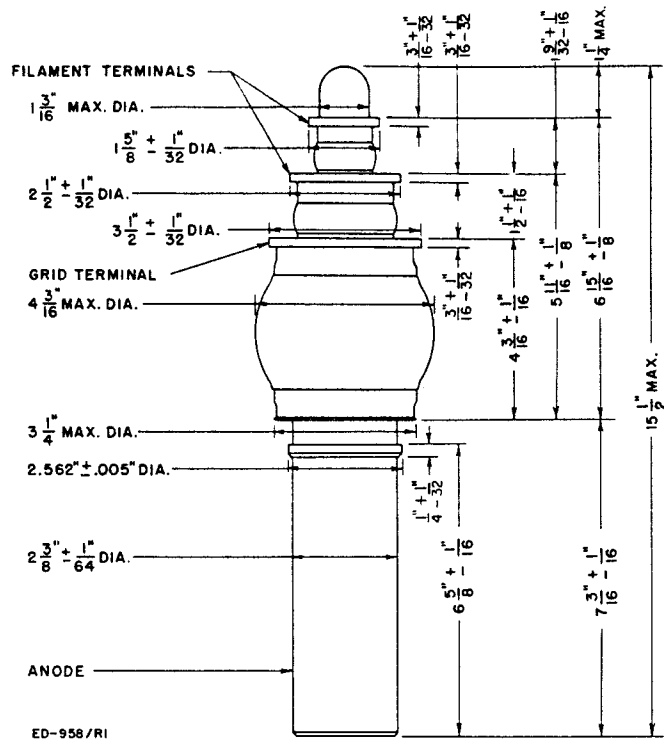
PLATE CURRENT ———

GRID CURRENT - - - - -

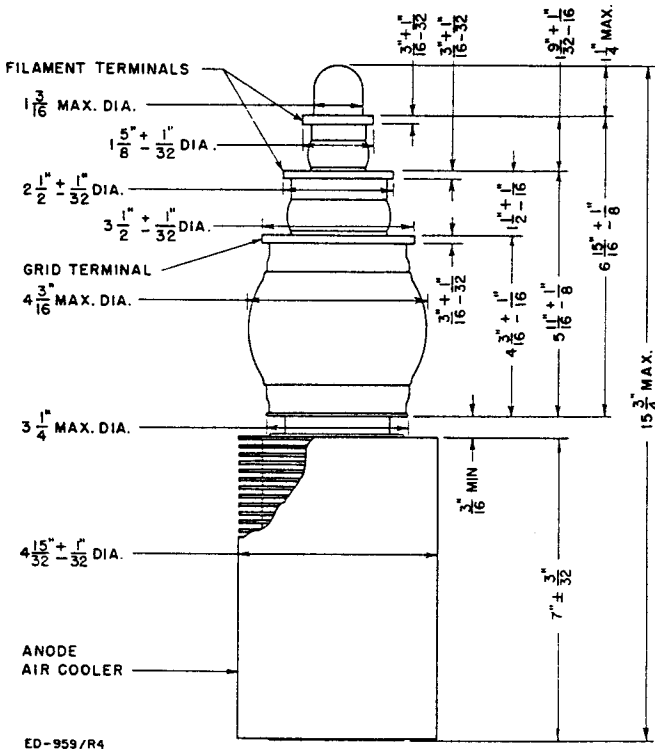
$e_c$  = PEAK POSITIVE  
GRID VOLTAGE



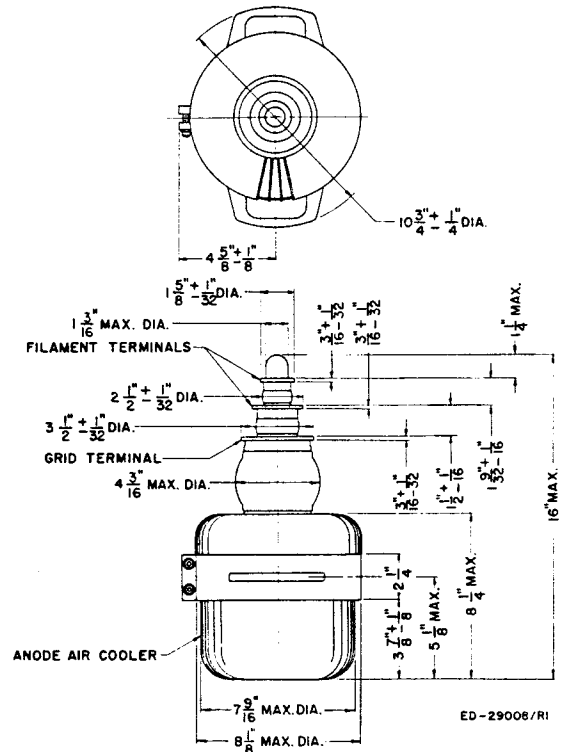
ED-29004/RI



DIMENSIONS — ML-6422



DIMENSIONS — ML-6423



DIMENSIONS — ML-6423-F

THE MACHLETT LABORATORIES, INC.

An Affiliate of Raytheon Company

SPRINGDALE



CONNECTICUT