

# 19GVP22

## Color Picture Tube

"PERMA-CHROME" ASSEMBLY FOR OPTIMUM FIELD  
PURITY AND UNIFORMITY DURING WARM-UP

RECTANGULAR TUBE 90° MAGNETIC DEFLECTION  
MAGNETIC CONVERGENCE 3 ELECTROSTATIC-FOCUS GUNS

ALUMINIZED TRICOLOR PHOSPHOR-DOT "Hi-Lite" SCREEN  
(Utilizing a New, Improved Rare-Earth Red-Emitting Phosphor)

*For Use in Color-TV Receivers*

*The 19GVP22 is the same as the 19GWP22 except for the following items:*

### OPTICAL

Faceplate. . . . . Filterglass  
Light transmission (Approx.) . . . . . 69%  
Faceplate does not have an integral protective window

### MECHANICAL

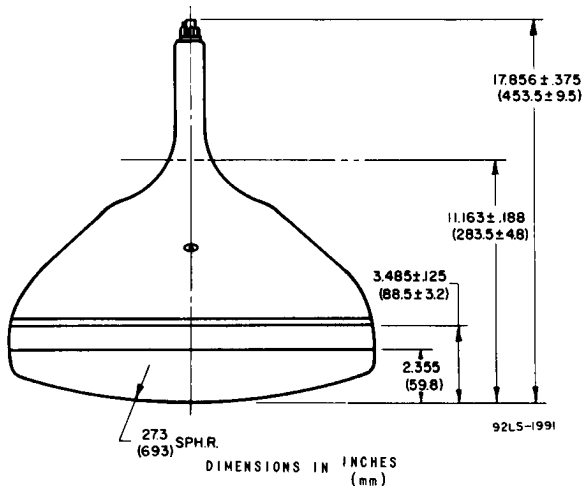
#### Tube Dimensions

Overall length . . . . .  $17.856 \pm .375$  in ( $453.5 \pm 9.5$  mm)  
Weight (Approx.) . . . . . 21 lb (9.5 kg)

- <sup>a</sup> It is recommended that the cabinet be provided with a shatter-proof, glass cover over the face of the 19GVP22 to protect it from being struck accidentally and to protect against possible damage resulting from tube implosion under some abnormal condition. This safety cover can also provide x-radiation protection when required.

### DIMENSIONAL OUTLINE

*Dimensions shown are only those which are different from the corresponding dimensions for the 19GWP22*



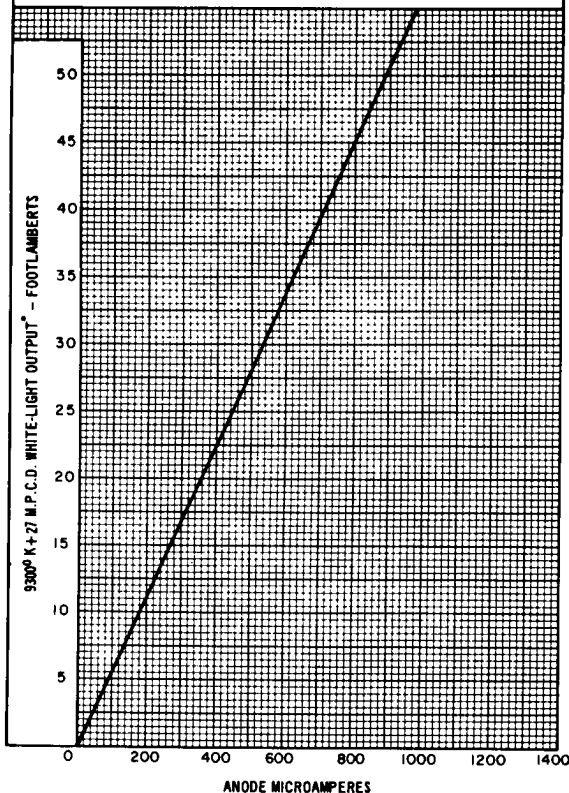
## Typical Light-Output Characteristic

HEATER VOLTAGE - 6.3 VOLTS  
 ANODE-TO-CATHODE VOLTAGE - 25000 VOLTS  
 GRID-No.3-TO-CATHODE VOLTAGE ADJUSTED FOR FOCUS.  
 DRIVE OF EACH GUN IS ADJUSTED TO GIVE COMPOSITE ANODE  
 CURRENT TO PRODUCE 9300° K - 27 M.P.C.D. WHITE-LIGHT OUTPUT.  
 PERCENTAGE OF TOTAL ANODE CURRENT SUPPLIED BY EACH GUN  
 TO PRODUCE 9300° K - 27 M.P.C.D. WHITE

RED GUN :	34%
BLUE GUN :	32%
GREEN GUN :	34%

RASTER SIZE: 15.585 x 12.185" (395.9 mm X 309.5 mm)

\*MEASURED WITHIN 4"-DIAMETER AREA CENTERED ON TUBE FACE



92LM-1990

