

Picture Tube

Pan-o-Ply Type
Low-Voltage Electrostatic Focus
114° Magnetic Deflection

Direct Interelectrode Capacitances:

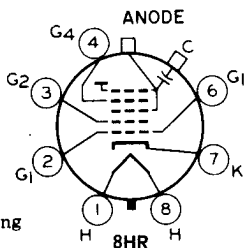
Cathode to all other electrodes	5	pF
Grid No.1 to all other electrodes	6	pF
External conductive coating to anode ^a	{ 2000 max. 1400 min.	pF
		pF
Heater Current at 6.3 volts	450 ± 20	mA
Heater Warm-Up Time (Average)	11	seconds
Electron Gun	Type Requiring No Ion-Trap Magnet	
Focus Lens	Unipotential	
Phosphor	P4-Sulfide Type, Aluminized	
Faceplate	Filterglass	
Light Transmission at Center (Approx.)	44%	
Weight (Approx.)	16.5 lb	
Overall length	12.269 in ± .250 in	
Neck length	4.375 in ± .125 in	
Projected Area of Screen	184 sq. in	
Cap Designation	Recessed Small Cavity (JEDEC No.J1-21)	
Base Designation	Small-Button Neoeightar 7-Pin, Arrangement 1, (JEDEC No.B7-208)	

TERMINAL DIAGRAM (Bottom View)

- Pin 1 - Heater
- Pin 2 - Grid No.1
- Pin 3 - Grid No.2
- Pin 4 - Grid No.4
- Pin 6 - Grid No.1
- Pin 7 - Cathode
- Pin 8 - Heater

Cap - Anode (Grid No.3, Grid No.5, Screen, Collector)

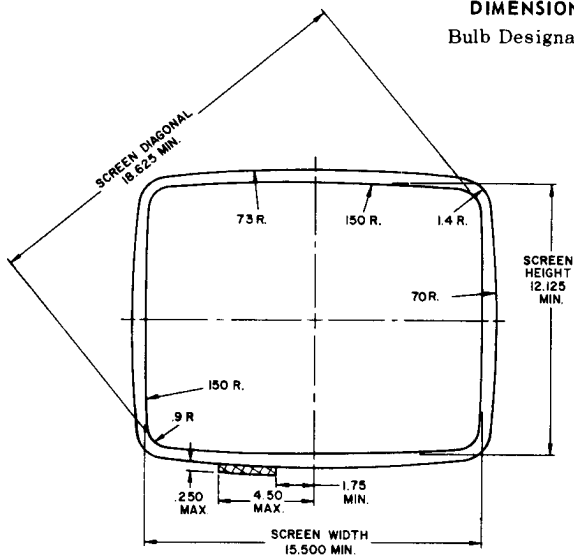
C - External Conductive Coating

**MAXIMUM AND MINIMUM RATINGS, DESIGN-MAXIMUM VALUES**

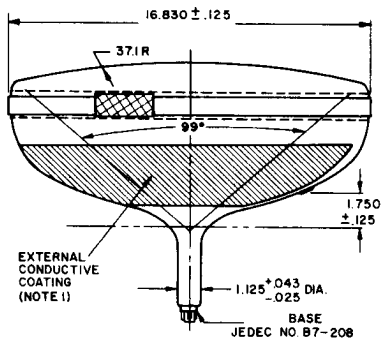
Unless otherwise specified, voltage values are positive with respect to cathode

Anode Voltage	{ 23,000 max. 11,000 min.	V
Grid-No.4 Voltage:		V
Positive value	1100 max.	V
Negative value	550 max.	V

DIMENSIONAL Bulb Designation

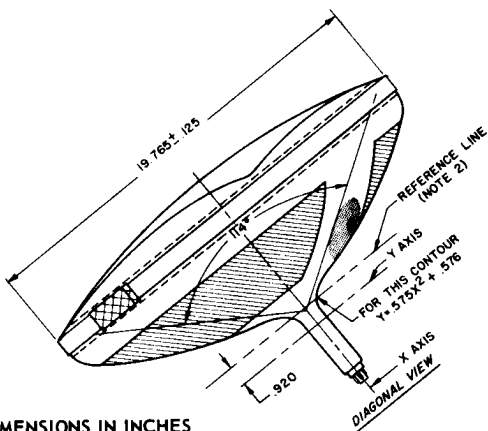
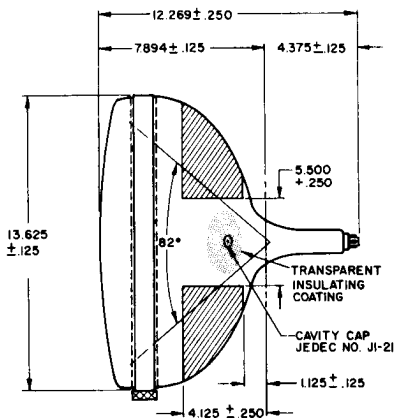


 KEEP THIS SPACE CLEAR OF ANY MECHANICAL OBSTRUCTION



OUTLINE

JEDEC No. J157-1/2 A1



DIMENSIONS IN INCHES

92LL-1914R1

Note 1: External conductive coating and implosion protection hardware must be grounded.

Note 2: Reference line is determined by gauge JEDEC No. G-126.

20TP4

MAXIMUM AND MINIMUM RATINGS (CONT'D)

Grid-No.2 Voltage	}	550 max.	V
Grid-No.1 Voltage:		200 min.	V
Negative peak value		220 max.	V
Negative bias value		155 max.	V
Positive bias value		0 max.	V
Positive peak value		2 max.	V
Heater Voltage	}	6.9 max.	V
Peak Heater-Cathode Voltage:		5.7 min.	V
Heater negative with respect to cathode:			
During equipment warm-up period not exceeding 15 seconds		450 max.	V
After equipment warm-up period		300 max.	V
Heater positive with respect to cathode:			
Combined AC & DC Voltage . .		200 max.	V
DC Component		100 max.	V

TYPICAL OPERATING CONDITIONS FOR CATHODE-DRIVE SERVICE:

Unless otherwise specified, voltage values are positive with respect to grid No.1

Anode Voltage	16,000	V
Grid-No.4 Voltage ^b	200	V
Grid-No.2 Voltage	300	V
Cathode Voltage for visual extinction of focused raster	28 to 62	V
Field Strength of required adjustable Centering Magnet	0 to 8	G

MAXIMUM CIRCUIT VALUE

Grid-No.1 Circuit Resistance	1.5 max.	MΩ
--	----------	----

^aInclude implosion protection hardware.

^bThe grid-No.4 voltage required for optimum focus of any individual tube will have a value anywhere between 0 and +400 volts with the combined grid-No.1 voltage and video-signal voltage adjusted to give an anode current of 100 microamperes on a 11.25-inch by 15-inch pattern from an RCA-2F21 monoscope, or equivalent.

See *X-RADIATION PRECAUTIONS* at front of this section.