

## Beam Power Tube

### Matrix-type Unipotential Cathode

Liquid Cooled 410 Watts PEP Output  
 UHF Grid-Drive Operation at 30 MHz  
 300 Watts UHF TV Output at 890 MHz  
 Distributed Amplifier Service to 500 MHz

### ELECTRICAL

Heater, Unipotential Matrix Type:

Voltage (ac or dc) . . . . .	6.3	V
Current at 6.3 volts . . . . .	3.5	A
Minimum heating time . . . . .	60	s
Mu-Factor, (grid No.2 to grid No.1) . . . . .	12	

### MECHANICAL

Operating Position . . . . .	Any
Weight (Approx.) . . . . .	8 oz (0.23 kg)

### THERMAL

Terminal Temperature . . . . .	250 max.	°C
Cathode-Heater Flange . . . . .	125 max.	°C
Plate Seal Temperature . . . . .	250 max.	°C

See *Dimensional Outline* for Temperature Measurement Points

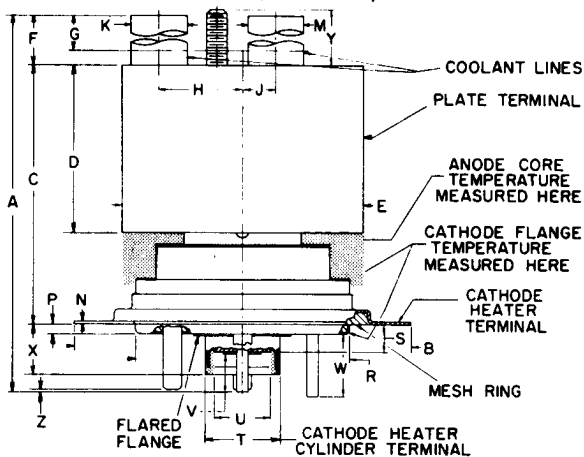
### MAXIMUM CCS RATINGS, Absolute-Maximum Values:

DC Plate Voltage . . . . .	2200	V
DC Grid No.2 Voltage . . . . .	400	V
DC Grid No.1 Voltage . . . . .	-100	V
DC Plate Current (Class A Service) . . . . .	600	mA
Plate Dissipation . . . . .	1000	W

- ⓐ Keep all stippled regions clear. Do not allow contacts or circuit components to intrude upon these regions.

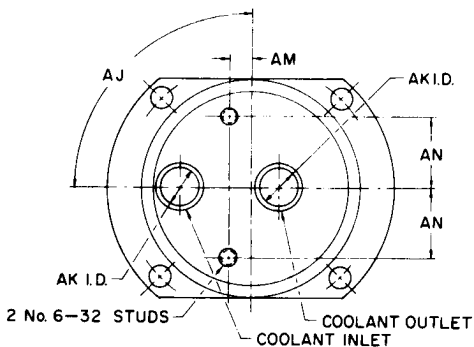
Detailed performance and application information is available through your RCA Sales Office Distributor, or by writing to RCA Commercial Engineering, Harrison, NJ 07029.

## DIMENSIONAL OUTLINE (Front View)



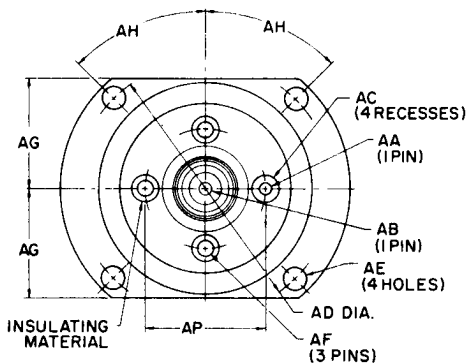
92LM-2512V

## DIMENSIONAL OUTLINE (Top View)



92LS-2517V

## DIMENSIONAL OUTLINE (Bottom View)



92LS-2518V

DIMENSION	INCHES	MILLIMETERS
A	3.330 Max.	84.6 Max.
B Dia.	2.262 Max.	57.45 Max.
C	1.745 $\pm$ .025	44.32 $\pm$ .64
D	1.130 $\pm$ .010	28.70 $\pm$ .25
E Dia.	1.625 $\pm$ .015	4.128 $\pm$ .38
F	0.437 $\pm$ .010	1.11 $\pm$ .25
G	0.875 Min.	22.23 Min.
H	0.560 $\pm$ .020	14.22 $\pm$ .51
J	0.220 $\pm$ .020	5.59 $\pm$ .51
K Dia.	0.375 Nom.	9.53 Nom.
M Dia.	0.375 Nom.	9.53 Nom.
N	0.022 $\pm$ .002	0.56 $\pm$ .05
P	0.058 $\begin{matrix} + .007 \\ - .008 \end{matrix}$	1.47 $\begin{matrix} + .18 \\ - .20 \end{matrix}$
R Dia.	1.425 $\pm$ .010	36.20 $\pm$ .25
S	0.200 Max.	5.08 Max.
T Dia.	0.500 $\pm$ .010	12.70 $\pm$ .25
U Dia.	0.400 Min.	10.16 Min.
V	0.250 Min.	6.35 Min.

DIMENSION	INCHES	MILLIMETERS
W	0.425 Max.	10.80 Max.
X	0.337 + .018 - .017	8.56 + .46 - .43
Y	0.380 ± .020	9.65 ± .51
Z	0.060 Max.	1.12 Max.
AA Dia.	0.081 ± .002	2.06 ± .05
AB Dia.	0.081 ± .002	2.06 ± .05
AC Dia.	0.245 Min.	6.22 Min.
AD Dia.	2.000 ± .010	50.8 ± .25
AE Dia.	0.175 ± .005	4.45 ± .13
AF Dia.	0.126 ± .002	3.20 ± .05
AG	0.868 + .017 - .018	22.05 + .43 - .46
AH	45° ± 5'	-
AJ	90° ± 3°	-
AK	0.378 ± .003	9.60 ± .08
AM	0.171 ± .010	4.34 ± .25
AN	0.562 ± .010	14.27 ± .25
AP	0.950 ± .011	24.13 ± .28