

Xenon Thyatron

NEGATIVE-CONTROL TRIODE TYPE

GENERAL DATA

Electrical:

	Min.	Av.	Max.	
Filament, Coated and Mid-Tapped:				
Voltage (AC or DC) between pins 2 and 3	2.4	2.5	2.6	volts
Current	7	9	11	amp
Minimum heating time prior to tube conduction.			30	sec
Direct Interelectrode Capacitances (Approx.):				
Grid to anode			2	μf
Ionization Time (Approx.)			10	μsec
Deionization Time (Approx.)			1000	μsec
Maximum Critical Grid Current			10	μa
Anode Voltage Drop at peak anode amperes = 10.			10	volts
Maximum Commutation Factor ^a averaged over first 350 volts of inverse anode-voltage rise.		0.66		$\text{va}/\mu\text{sec}^2$

Mechanical:

Operating Position.	Any
Maximum Overall Length.	6-3/4"
Maximum Seated Length	6"
Maximum Diameter.	2-3/16"
Weight (Approx.).	3 oz
Cap	Medium (JEDEC No. C1-5)
Base.	Special Metal Shell

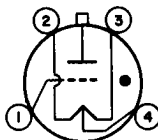
Terminal Diagram:

BOTTOM VIEW

Pin 1 - Grid

Pin 2 - Filament

Pin 3 - Filament



Pin 4 - Filament Tap & Circuit Returns

Cap - Anode

GRID-CONTROLLED-RECTIFIER SERVICE

Maximum and Minimum Ratings, Absolute-Maximum Values:

For anode supply frequency of 60 cps

PEAK ANODE VOLTAGE:

Forward	900 max.	volts
Inverse	1250 max.	volts

PEAK NEGATIVE GRID VOLTAGE:

Before tube conduction.	100 max.	volts
During tube conduction.	10 max.	volts



ANODE CURRENT:

Peak	30 max.	amp
Average ^b	2.5 max.	amp
Fault	300 max.	amp
AMBIENT-TEMPERATURE RANGE during operation		-55 to +75 °C

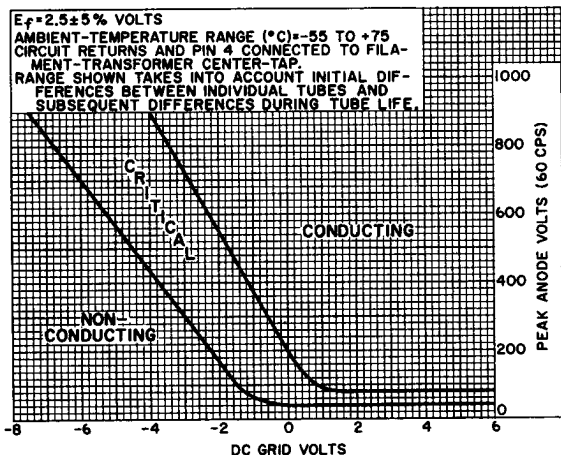
- ^a Defined as the product of the rate of current decay in amperes per microsecond just before conduction ceases and the rate of inverse-voltage rise in volts per microsecond following current conduction.
- ^b Averaged over any period of 4.5 seconds.

OPERATING CONSIDERATIONS

Circuit returns should be connected to filament mid-tap (Pin 4).

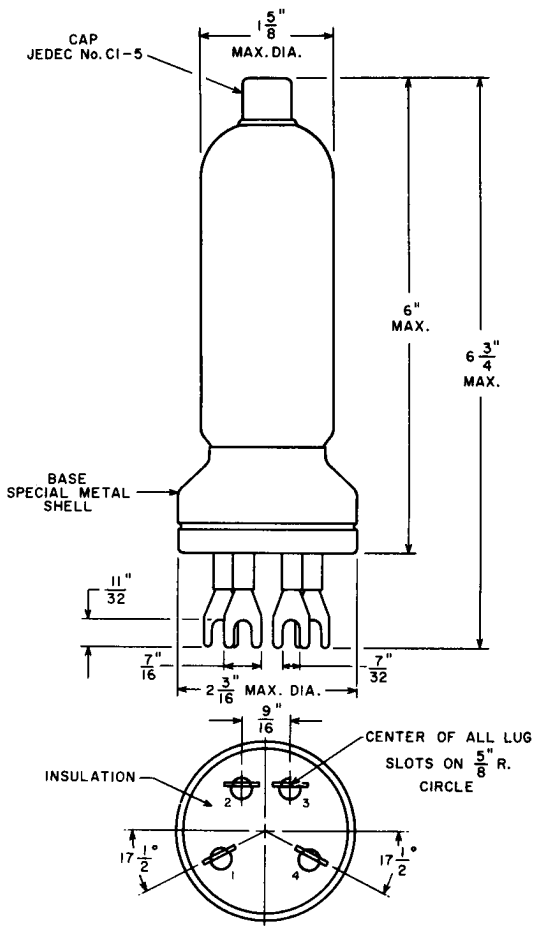
Sufficient anode-circuit resistance, including the tube load, must be used under any conditions of operation to prevent exceeding the maximum current ratings of the tube.

OPERATIONAL RANGE OF CRITICAL GRID VOLTAGE



92CS-11323





92CM-11314

