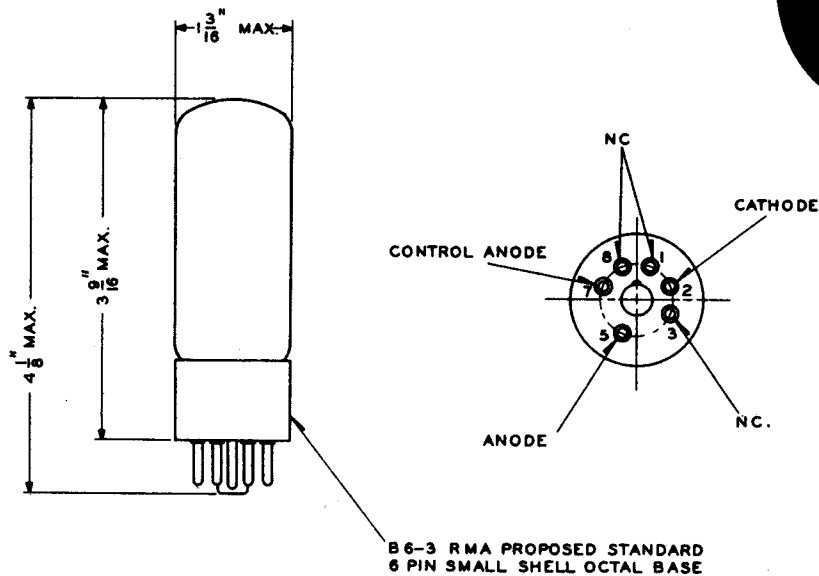


ADVANCE ELECTRON TUBE DATA SHEET  
 WESTERN ELECTRIC 5589\* ELECTRON TUBE

**5589**  
**COLD CATHODE**  
**3 ELECTRODE**



CLASSIFICATION

Three-electrode, inert-gas-filled, cold cathode tube.

MOUNTING

The tube may be mounted in any position.

MAXIMUM RATINGS (ABSOLUTE VALUES)

Peak Anode Voltage		
Inverse		200 volts
Forward		275 volts
Cathode Current		
Peak		200 milliamperes
Direct Current for life of 1,000 hours		35 milliamperes
Direct Current for life of 10,000 hours		20 milliamperes
Frequency		60 cycles/second
Ambient Temperature Limits		-40 to +80° centigrade
Peak Starter Current		
Starter Voltage, Positive		100 milliamperes
Starter Voltage, Negative		1.0 milliampere

ELECTRICAL DATA

	<u>MIN.</u>	<u>BOGEY</u>	<u>MAX.</u>	
Anode Voltage Drop	55	65	70	volts
Starter Voltage Drop	55	60	70	volts
Starter Breakdown Voltage	70	80	90	volts
Required Transfer Current,				
Anode at 130 volts	200	---	---	microamperes
Deionization Time, approx.	---	2000	---	microseconds

