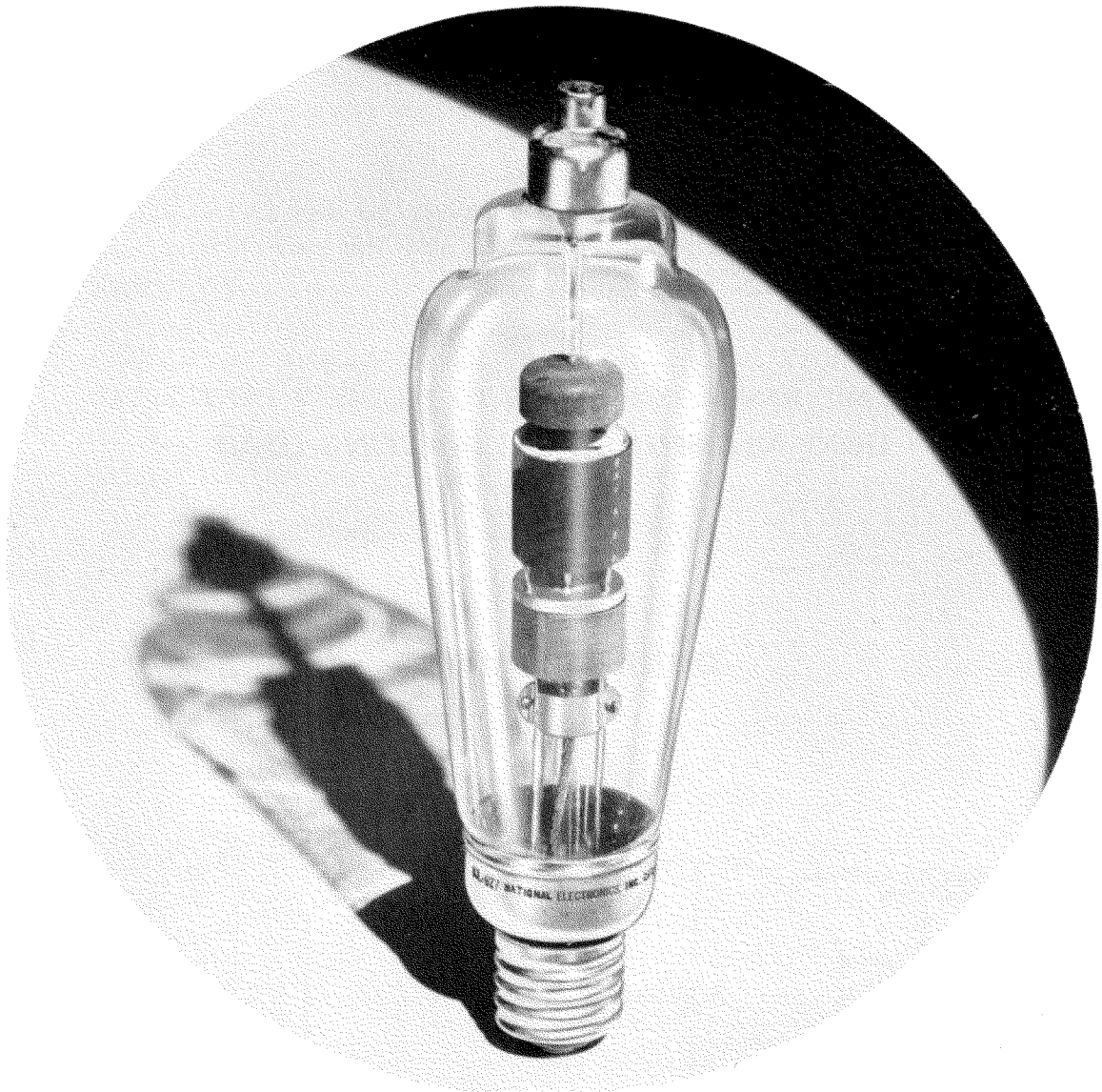


RECTIFIER TUBE

NL-627

RECTIFIER TUBE

20 Amperes dc



NATIONAL POWER TUBE NL-627 is a sturdy rectifier tube designed especially for industrial power rectifier applications up to 250 volts dc. It is mercury filled for efficiency, long life, and the ability to stand high inverse voltage.

NATIONAL ELECTRONICS, INC.

GENEVA, ILLINOIS, U. S. A.

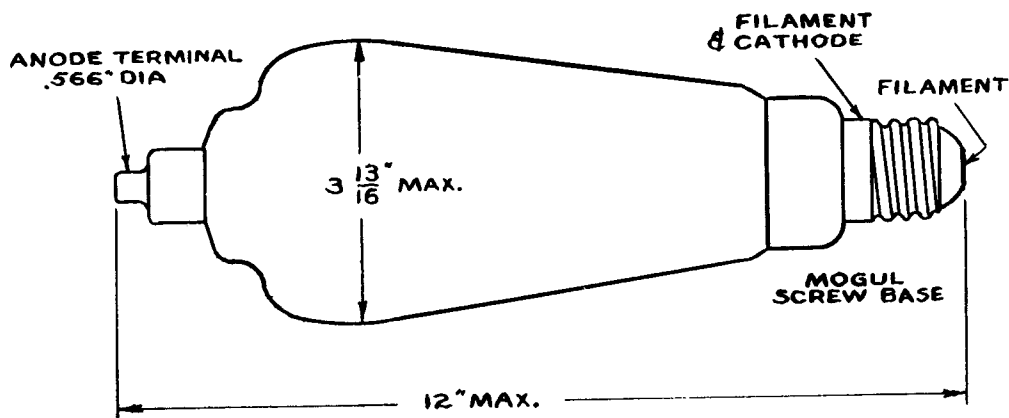
NL-627 RECTIFIER TUBE TECHNICAL INFORMATION

dc Amperes output (maximum)	20
Instantaneous Amperes output (maximum)	120
Maximum time of averaging anode current (seconds)	15
Maximum peak inverse volts	1000
Filament volts	2.5
Filament amperes	26 ± 2
Filament heating time (seconds)	120
Typical arc drop at 60 amperes peak (volts)	10
Typical Anode starting voltage (volts)	13
Maximum ac short circuit current (amperes)	1000
Condensed mercury temperature limits (°C)	+ 35 to + 80
Approximate temperature rise, cond. mercury above ambient no load (°C)	25
Approximate temperature rise, cond. mercury above ambient full load (°C)	45
Mounting position	vertical, base down
Net weight (ounces)	13
Approx. shipping weight (lbs.)	7

ALL DATA ARE BASED ON RETURNS TO FILAMENT CENTER TAP

LIGHT FILAMENT BEFORE APPLYING LOAD

OUTLINE DRAWING



Printed in U. S. A. 7-57

NATIONAL ELECTRONICS, INC.

GENEVA, ILLINOIS, U. S. A.