

—Standard Valves—

4007-A
Valve

4007-A VALVE

HALF WAVE WATER COOLED RECTIFIER.

SPECIFICATION.

Cathode.

Pure Tungsten filament.
Constant voltage type.

Water Jacket.

Type MS.1362 Grp. 1 for anode dissipation
up to 6 Kw.
Type 223 LU 1A for anode dissipation over
6 Kw.
Type MS.1362 Grp. 20 for anode dissipation
up to 6 Kw. used for below panel
connection.

Water Flow.

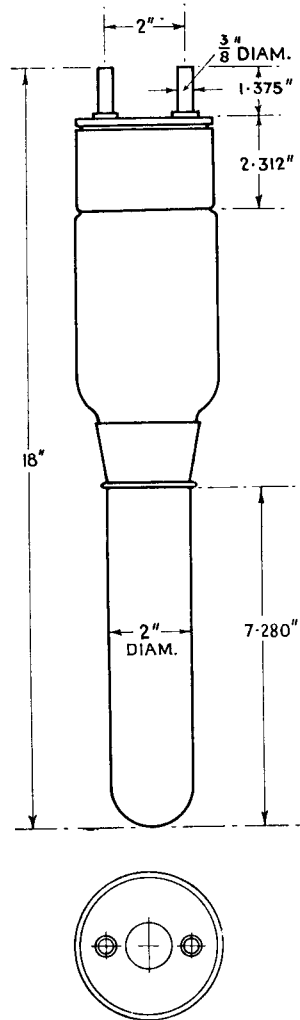
2 gallons per minute.

Dimensions.

Overall length	18" (46 cms.)
Bulb diameter	$3\frac{1}{2}$ " (8.9 cms.)
Net weight	$2\frac{1}{4}$ lbs. (1,050 gms.)

Constants.

Filament voltage	20 – 21 volts (exact filament voltage is marked on bulb of each valve)
Nominal filament current	50 amps.
Total emission	6 amps.
Maximum peak inverse voltage	45,000 volts
Maximum anode dissipation	10 Kw.

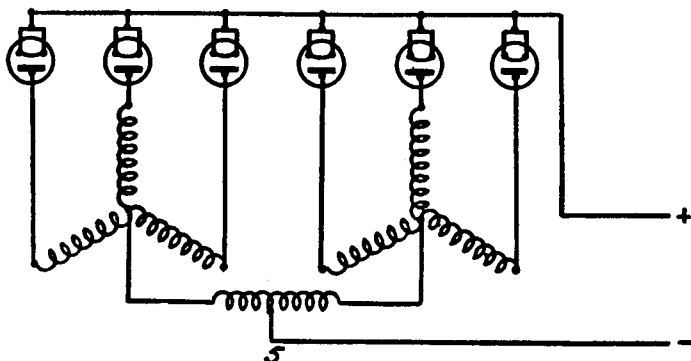
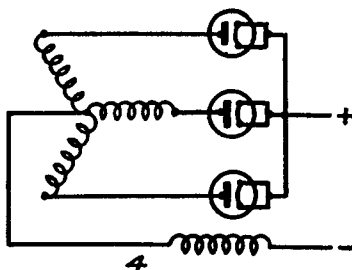
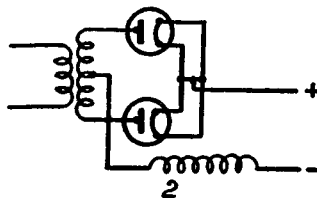
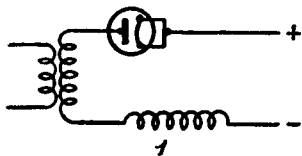


V.4007-A.1
Nov. 1937

—Standard Valves—

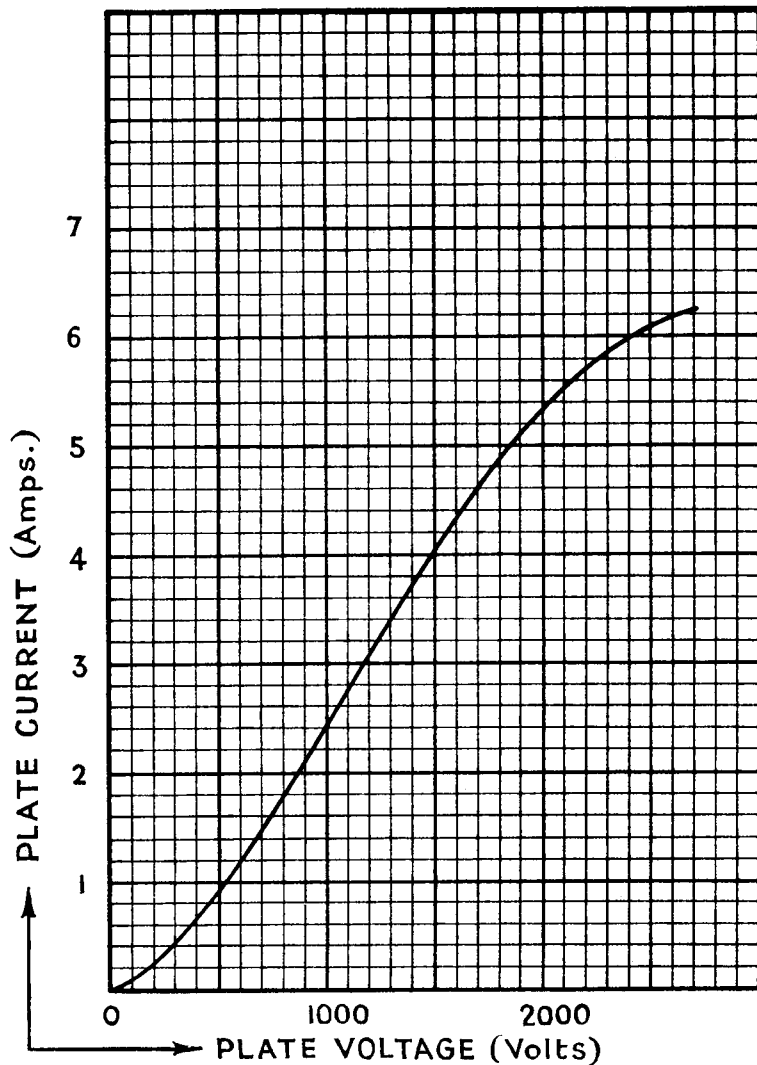
TYPICAL OPERATING CONDITIONS.

Circuit	Number of valves	Load potential in volts	Load current in amps.
1	1	7,000	1.5
2	2	14,000	3.0
4	3	22,500	4.3
5	6	22,500	8.5



—Standard Valves—

4007-A
Valve



V.4007-A.2
Nov. 1937

PRINTED IN
ENGLAND