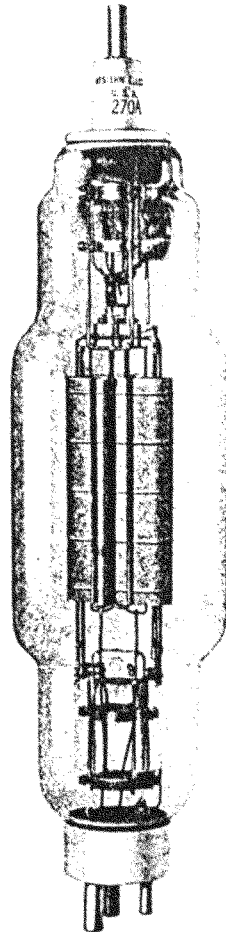


Western Electric

270A Vacuum Tube



Classification—Filamentary air-cooled triode

May be used as an audio-frequency amplifier or as a radio-frequency amplifier, modulator or oscillator.

Dimensions—Dimensions and outline diagrams are shown in Figure 1. The overall dimensions are

| | |
|----------------------------------|-----|
| Maximum overall length | 17" |
| Maximum diameter | 4" |

Mounting—The method of supporting the tube shown in Figure 1 is recommended and sufficient dimensions are given for designing a suitable mounting. The tube should preferably be mounted in an upright or vertical position.

Filament—Thoriated tungsten

| | |
|----------------------------------|------------------------|
| Filament voltage..... | 10 volts, a.c. or d.c. |
| Nominal filament current..... | 9.75 amperes |
| Average thermionic emission..... | 4.0 amperes |

Average Direct Interelectrode Capacitances

| | |
|------------------------|------------------------|
| Plate to grid..... | 21.0 $\mu\mu\text{f.}$ |
| Grid to filament..... | 18.0 $\mu\mu\text{f.}$ |
| Plate to filament..... | 2.0 $\mu\mu\text{f.}$ |

Characteristics—Performance data given below are based upon a typical set of conditions. Variations can be expected with different circuits and tubes.

Figures 2 and 3 give the static characteristics of a typical tube plotted against grid and plate voltages.

Average Characteristic at maximum direct plate voltage and dissipation—Class A ($E_b = 2500$ volts, $I_b = 120$ milliamperes)

| | |
|-------------------------------------|----------------|
| Amplification factor..... | 16 |
| Plate resistance..... | 2800 ohms |
| Grid to plate transconductance..... | 5700 micromhos |

Operation

Maximum Ratings

| | |
|---|------------------|
| Max. direct plate voltage..... | 3000 volts |
| Max. direct plate current..... | 375 milliamperes |
| Max. plate dissipation..... | 350 watts |
| Max. direct grid current..... | 75 milliamperes |
| Max. r-f grid current..... | 10 amperes |
| Max. frequency for the above ratings..... | 7.5 megacycles |
| Max. plate voltage for upper frequency limit of 22.5 Mc..... | 1000 volts |
| Max. plate voltage for frequencies between 7.5 and 22.5 Mc in proportion | |

Class A Audio Amplifier or Modulator

| | | |
|---------------------------|--------|------------------|
| Direct plate voltage..... | 2500 | 2000 volts |
| Grid bias..... | -130 | -95 volts |
| Direct plate current..... | 120 | 150 milliamperes |
| Plate dissipation..... | 300 | 300 watts |
| Load impedance..... | 15,000 | 10,000 ohms |
| Undistorted output..... | 90 | 70 watts |

Class B Audio Amplifier or Modulator for Balanced 2 Tube Circuit

| | | |
|--|------|------------------|
| Direct plate voltage..... | 2500 | 2000 volts |
| Grid bias..... | -140 | -105 volts |
| Direct plate current per tube | | |
| No drive..... | 60 | 60 milliamperes |
| Max. drive..... | 375 | 375 milliamperes |
| Load resistance, plate-to-plate..... | 8000 | 6000 ohms |
| Load resistance, per tube..... | 2000 | 1500 ohms |
| Plate dissipation..... | 350 | 350 watts |
| Approx. max. output—2 tubes..... | 1000 | 850 watts |
| Recommended power for driving stage..... | 75 | 75 watts |

Grid Bias Modulator

| | | |
|---------------------------|------|--------------|
| Direct plate voltage..... | 3000 | volts |
| Direct plate current..... | 75 | milliamperes |
| Grid bias..... | -200 | volts |
| Load impedance..... | 7000 | ohms |
| Peak power output..... | 250 | watts |

Class B Radio-Frequency Amplifier

| | | | |
|--|------|------|--------------|
| Direct plate voltage..... | 3000 | 2500 | volts |
| Direct plate current for carrier conditions..... | 175 | 210 | milliamperes |
| Grid bias..... | -180 | -140 | volts |
| Approximate carrier watts for use with 100% modulation | 175 | 175 | watts |

Class C Radio-Frequency Oscillator or Power Amplifier—Unmodulated

| | | | |
|---------------------------|--------------|--------------|--------------|
| Direct plate voltage..... | 3000 | 2500 | volts |
| Direct plate current..... | 350 | 350 | milliamperes |
| Grid bias..... | -315 to -420 | -255 to -340 | volts |
| Nominal power output..... | 700 | 585 | watts |

Class C Radio-Frequency Amplifier—Plate Modulated

| | | | |
|--|------|------|--------------|
| Direct plate voltage..... | 2250 | 1750 | volts |
| Direct plate current..... | 300 | 350 | milliamperes |
| Grid bias..... | -300 | -240 | volts |
| Maximum direct grid current..... | 80 | 80 | milliamperes |
| Nominal carrier power output for use with 100% modulation..... | 450 | 410 | watts |

Operating Precautions

Mechanical—Figure 1 shows the overall dimensions and basing arrangement for the tube.

The tubes should not be subjected to mechanical shock or excessive vibration. Mechanical vibration may cause breakage of the thoriated tungsten filaments.

A free circulation of air must be provided to insure adequate cooling of the glass during operation.

Electrical—Overload protection should always be provided for the plate circuit. A suitable fuse or circuit breaker should remove the plate voltage if the plate current exceeds 400 milliamperes. Although the tube is sufficiently rugged to withstand momentary overloads, a prolonged overload caused by inefficient adjustment of the circuit, may damage the tube. When adjusting a new circuit, reduced plate voltage or a series resistance of 1000 to 5000 ohms in the plate circuit should be used until it is operating properly.

The filament should always be operated at the rated voltage, measured at the tube terminals. A 5% decrease in filament voltage reduces the thermionic emission approximately 25%. Either direct or alternating current may be used for heating the filament. If direct current is used, the plate and grid circuit returns should be connected to the negative filament terminal. If alternating current is used, the circuit returns should be connected to the center tap of the filament heating transformer winding or to the center tap of a resistor placed between the filament terminals. A resistance of 20 to 30 ohms of three watt rating is suitable.

In cases where severe and prolonged overload has temporarily impaired the electronic emission of the filament, the activity may be restored by operating the filament, with the plate and grid voltages off, 30% above normal voltage for 10 minutes followed by a longer period at normal voltage.

Audio Amplifier or Modulator

Class A—Peak grid drive equal to or less than the grid bias.

Grid bias may be obtained from the drop across a resistance in the plate current return or from a battery or rectifier supply.

Plate dissipation allowable for this type of service is generally lower than is safe for other uses since the energy is dissipated in the plate in smaller areas due to relatively high voltage drop in the tube.

The plate dissipation is equal to the plate voltage multiplied by the normal plate current. Performance data are based upon the use of a resistance load. Undistorted output is calculated on the basis of 5% second harmonic distortion.

Class B—Grid bias practically at cut-off and grid driving voltage higher than the bias.

Two tubes may be used in a balanced circuit. An adequate driving stage and an input transformer with good regulation must be used so that the grid current drawn during positive grid swings does not produce appreciable distortion. The output transformer must transform the load impedance to the proper value for the tubes used. The power output obtainable will be determined by the quality of the transformer used and the amount of distortion which can be tolerated. The grid bias must be held constant and therefore can not be obtained by grid leak or series resistor methods. A battery or other source having good regulation is necessary.

The power required of a modulator for complete modulation of a Class C amplifier is one-half the direct power input to the plates of the Class C amplifier.

Radio-Frequency Oscillator or Power Amplifier

Class B—Radio-Frequency Amplifier

The Class B radio-frequency amplifier is used to amplify a modulated radio-frequency carrier wave without appreciable distortion. It operates similarly to the Class B audio amplifier except that a single tube may be used, the tuned output circuit serving to preserve the wave shape. The push-pull circuit, however, eliminates the even order harmonics and thus increases the efficiency slightly.

Class C—Radio-Frequency Oscillator or Power Amplifier—Grid bias below cut-off

Unmodulated

This type of operation is suitable for telegraphy, or the production of a continuous flow of radio-frequency power for purposes other than communication.

Plate Modulated

This type of operation is for use when the modulating voltage is superimposed on the plate supply voltage and to obtain good quality the output power should vary as the square of the plate voltage. For complete or 100% modulation, the plate voltage varies from zero to twice the applied direct value during a cycle of the audio frequency. With no modulation applied, the plate voltage is, of course, the direct value and the carrier power output is one-fourth of the peak power output under 100% modulation. In this case, since the plate voltage varies with modulation, the direct value must be rated lower than for other types of operation.

High Frequency Ratings

The frequency limits specified under maximum ratings are based on the tube being used on an oscillator. The tube may be used at full rating up to 7.5 megacycles. When operating at higher frequencies, the dielectric losses, charging currents, and lead-in heating are increased greatly. The plate voltage and hence plate dissipation must be reduced to values specified for the upper frequency limit and for frequencies between these two limits the plate voltage should be proportionately reduced.

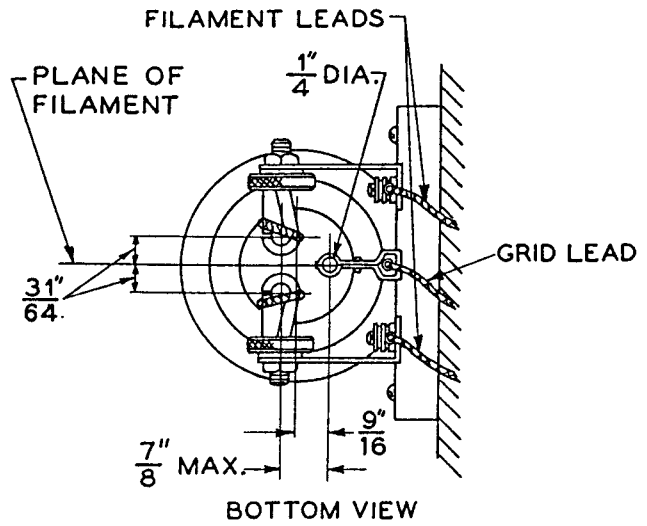
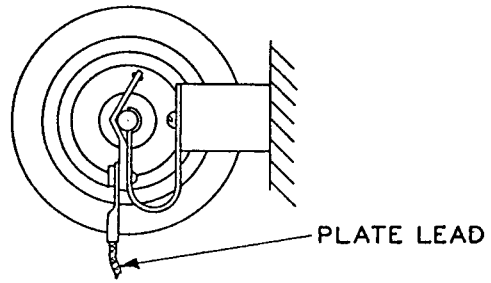
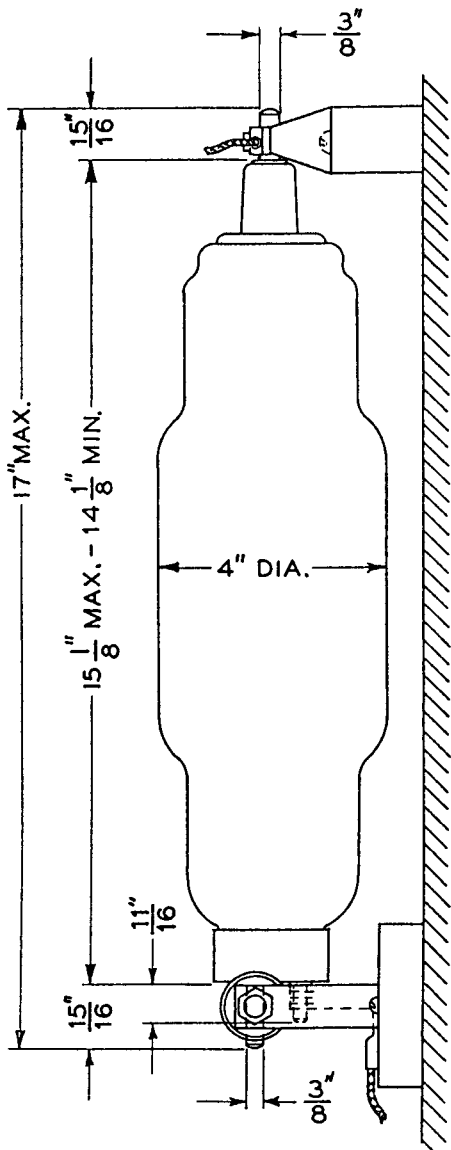


FIG. 1

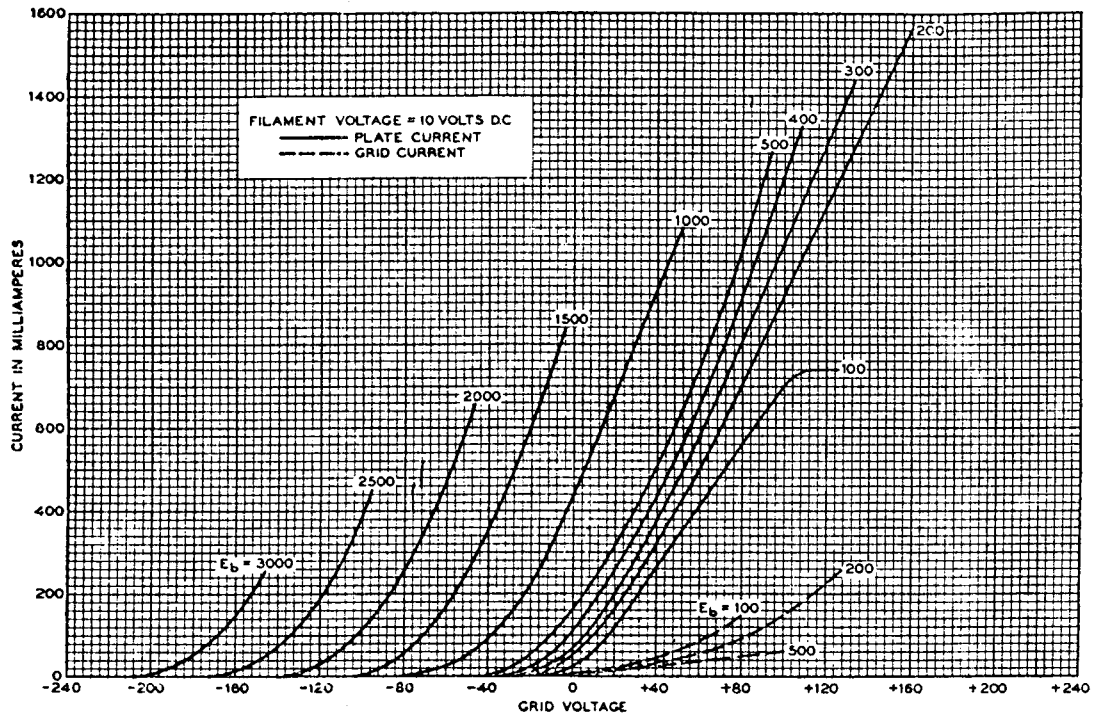


FIG. 2

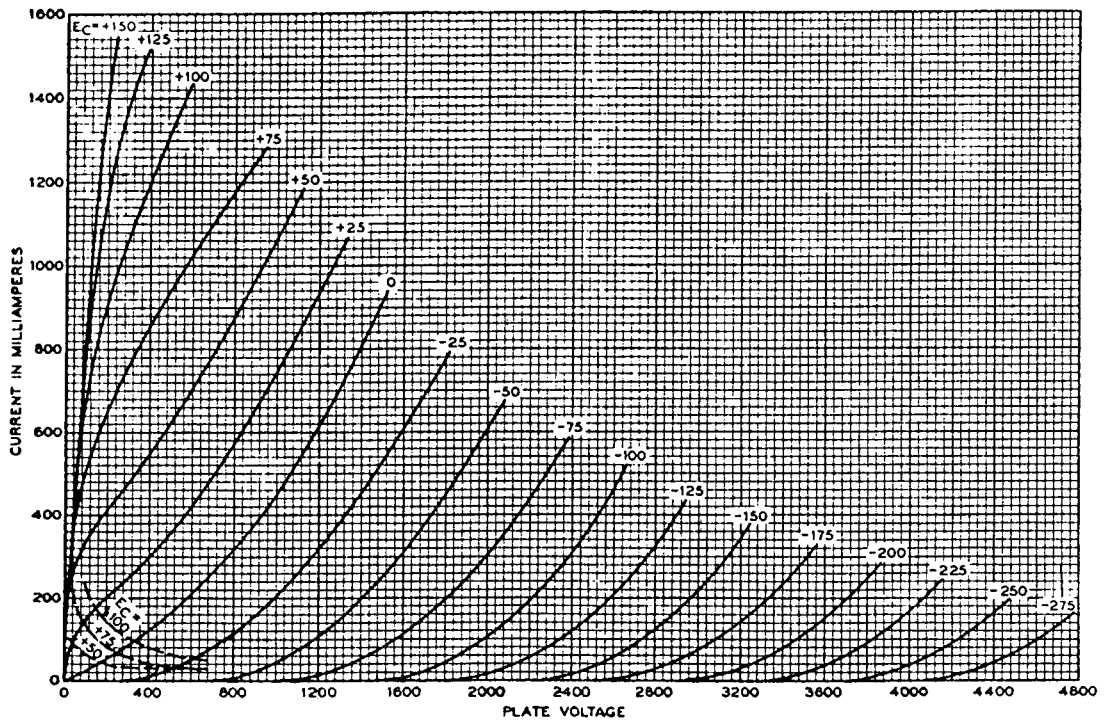


FIG. 3