

PHOTOTUBE

DESCRIPTION

The GL-921 is a cartridge-type, two-electrode gas-filled phototube for relay- and light-measurement applications. It is highly sensitive to red and

infrared radiation. The double-ended design, with a terminal at each end, provides a compact phototube useful in applications where space is restricted.

TECHNICAL INFORMATION

These data are for reference only. For design information refer to specifications.

GENERAL CHARACTERISTICS

Number of electrodes 2

Electrical

Spectral response	S-1	
Luminous sensitivity at 90 volts, 0 cycles	135	microamperes per lumen
Maximum gas amplification	10	
Interelectrode capacitance	1.0	micromicrofarad
Maximum dark current at 90 volts	0.1	microampere
Wavelength of maximum response	8000	angstroms
Sensitivity at maximum response	0.013	microampere per microwatt



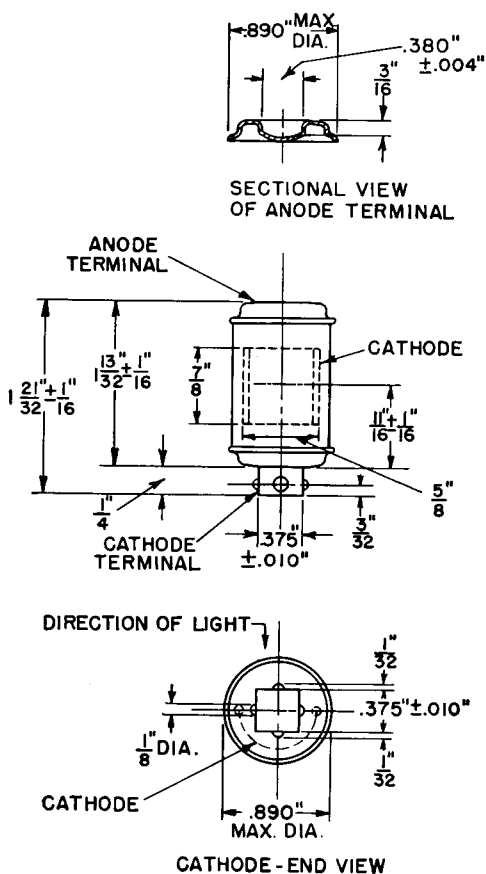
TECHNICAL INFORMATION (CONT'D)

Mechanical

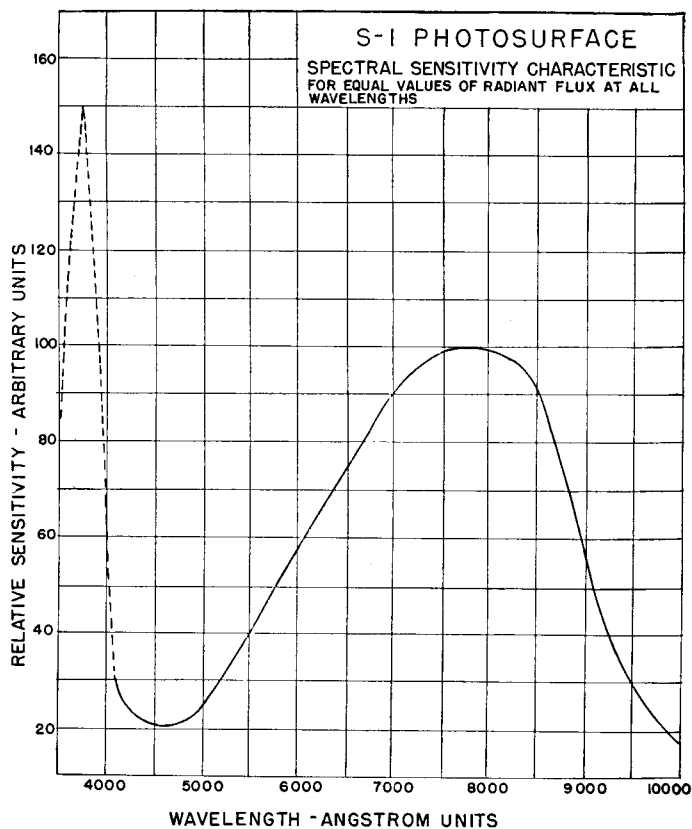
Window dimensions	$\frac{5}{8} \times \frac{7}{8}$ inches
Seated height to center of useful cathode area	$\frac{11}{16} \pm \frac{1}{16}$ inches
Maximum over-all height	$1\frac{33}{32}$ inches
Maximum seated height	$1\frac{13}{32}$ inches
Maximum diameter	0.890 inch
Mounting position	Any
Net weight, approx.	$\frac{1}{4}$ ounce
Shipping weight, approx.	$\frac{3}{4}$ pounds

MAXIMUM RATINGS

Anode voltage, d-c or peak a-c	90 volts
Cathode current density	152 microamperes per square inch
Ambient temperature	100 centigrade



CATHODE - END VIEW
 OUTLINE
 PHOTOTUBE GL-921
 K-8277039 7-1-44



K-8639626

4-17-44