



Tetrode Pulse Modulator

P535/IE

P552/IE

P535/IE & P552/IE

CATHODE.

Indirectly-heated, oxide-coated

Voltage	26	V
Nominal current	2	A

INTER-ELECTRODE CAPACITIES.

Grid-anode	1.2	pF
Input	35.0	pF
Output	7.0	pF

DIMENSIONS.

Maximum overall length	149	mm.
Maximum bulb diameter	65.2	mm.
Base—see sketch		
Net weight	194	g.

MAXIMUM RATINGS.

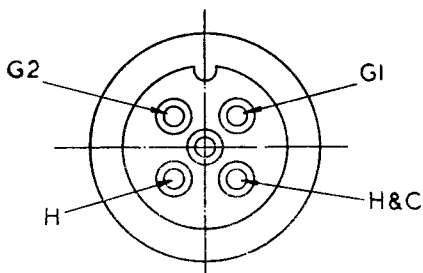
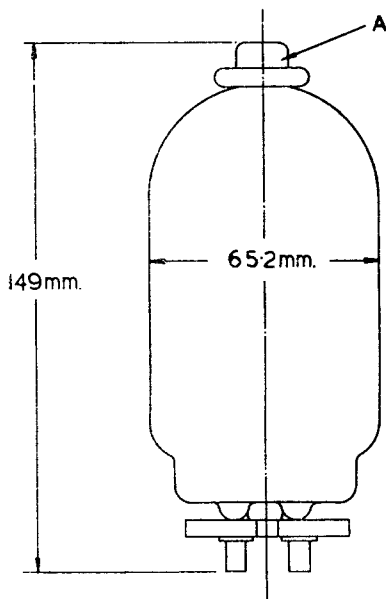
	P535/IE	P552/IE
Maximum direct anode voltage	15,000 V	20,000 V
Maximum direct screen voltage	1,250 V	1,250 V
Maximum average anode current	30 mA	30mA
Maximum peak anode current with duty cycle of 1/1,000 or less	15 A	15 A
Maximum anode dissipation	60 W	60 W
Maximum screen dissipation	8 W	8 W
Maximum peak positive control grid	250 V	250 V
Maximum grid bias	-1,000 V	-1,000 V

Note.—Product of pulse duration in seconds and pulse recurrence frequency in c/s < 0.001 . In any 100 μ sec. interval the tube shall not be operated longer than 5 μ sec.

P535/IE
P552/IE

Tetrode Pulse Modulator

P535/IE & P552/IE



Tentative data
June 1946

P535/IE }
P552/IE } —2