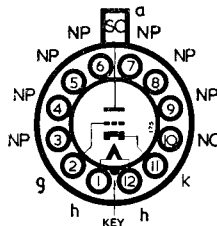


Replacement Type

TYPE C17BM B12A (DUODECAL) BASE



RECTANGULAR WIDE ANGLE DEFLECTION TELETYPE WITH ALUMINIZED SCREEN AND EXTERNAL CONDUCTIVE COATING

RATINGS

Heater Voltage	6.3 volts
Heater Current	0.6 amp.
Anode Voltage	17.5 kV abs. max.
Anode Voltage	12.0 kV min.
Beam Current	250 μ A max.
Grid Voltage	-2 volts min.
Diagonal Deflection Angle	70° approx.
Peak Heater to Cathode Potential	150 volts max.
Peak Heater to Cathode Potential*	410 volts max.

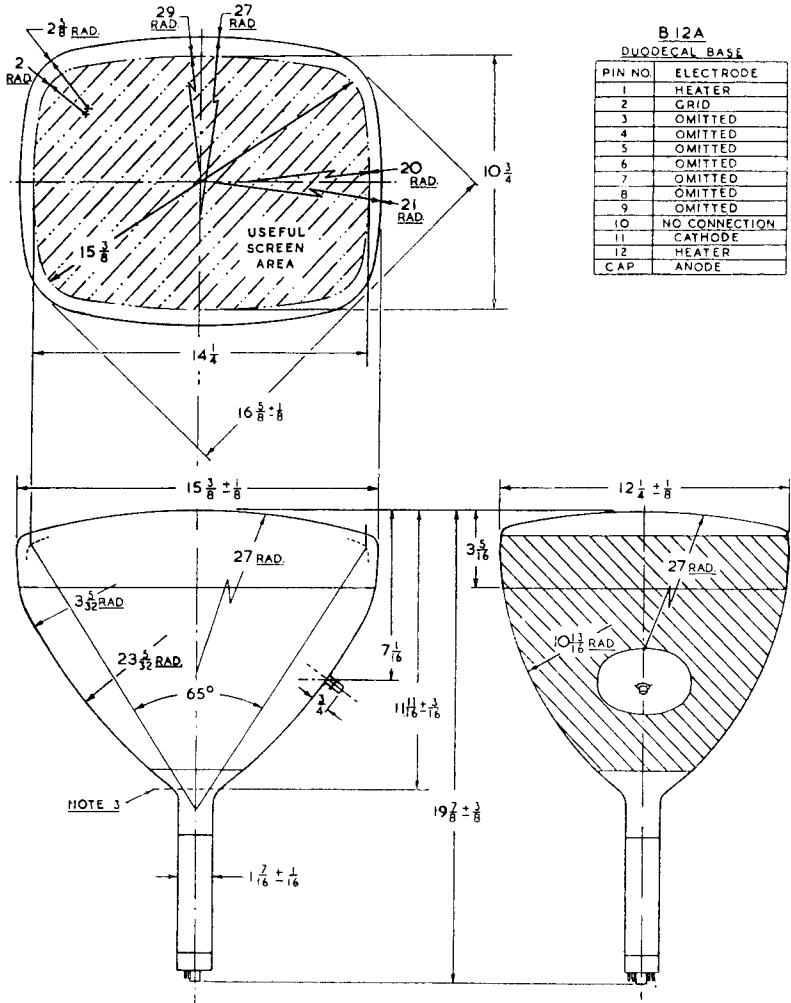
* Heater Negative with respect to cathode and only during warm-up period of 15 secs. maximum duration.

OPERATING CHARACTERISTICS

Anode Voltage	16 kV
Grid Voltage Limits for cut-off	-50 to -100 volts
Peak to Peak modulation for beam current of 150 μ A	30 volts
Focusing requirements with $\frac{1}{4}$ -inch gap	850 amp. turns approx.
Distance from modulator grid aperture to centre of coil gap	2 inches approx.
Scanning power for coil of mean length 2 $\frac{1}{4}$ inches	25 amp. turns per inch approx.
Distance from modulating grid aperture to reference line	5.4 inches $\pm \frac{1}{8}$ inch

INTER-ELECTRODE CAPACITANCES

Grid to all	9.0 pF max.
Cathode to all	7.0 pF max.
Anode to external coating	1,500 pF



B 12A
DUODECAL BASE

PIN NO.	ELECTRODE
1	HEATER
2	GRID
3	OMITTED
4	OMITTED
5	OMITTED
6	OMITTED
7	OMITTED
8	OMITTED
9	OMITTED
10	NO CONNECTION
11	CATHODE
12	HEATER
CAP	ANODE

- NOTE**
1. ALL DIMENSIONS IN INCHES
 2. ANODE CAP IN LINE $\pm 10^\circ$ WITH VACANT BASE PIN POSITION NO. 6.
 3. REFERENCE LINE DETERMINED BY POSITION OF CAUGE NO. DD.705. (SEE VAD/392.12)