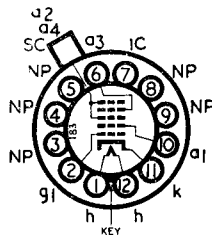


Current Equipment Type

TYPE C215M B12A (DUODECAL) BASE



The BRIMAR C215M is a rectangular 90° deflection angle teletube with electrostatic focus, an aluminized screen and external conductive coating. The screen colour is white with a grey glass faceplate with a transmission of approximately 70 per cent.

RATINGS

Heater Voltage	6.3 volts
Heater Current	0.3 amp.
Final Anode Voltage (V_{a2+4})	18 kV max.
Final Anode Voltage (V_{a2+4})	14 kV min.
Focus Anode Voltage (V_{a3})	—500 to 1,000 volts max.
First Anode Voltage (V_{a1})	500 volts max.
First Anode Voltage (V_{a1})	200 volts min.
Grid Voltage (V_g), Peak	2 volts max.
Heater to Cathode Voltage (V_{hk})	Cathode Positive	200 volts
Heater to Cathode Voltage (V_{hk})	Cathode Positive *	410 volts
Heater to Cathode Voltage (V_{hk})	Cathode Negative...	180 volts
Diagonal Deflection Angle	90° approx.

* During warm-up, for a period not exceeding 15 seconds.

OPERATING CHARACTERISTICS

Final Anode Voltage	18 kilovolts
Focus Anode Voltage	300 volts
First Anode Voltage	300 volts
Peak to Peak Modulating Voltage for Beam Current of 150 μ A	30 volts
Grid Voltage to cut off Beam Current	—33 to —77 volts

INTER-ELECTRODE CAPACITANCES

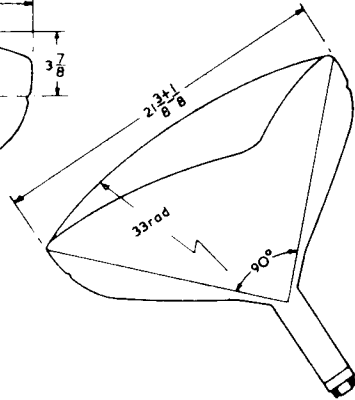
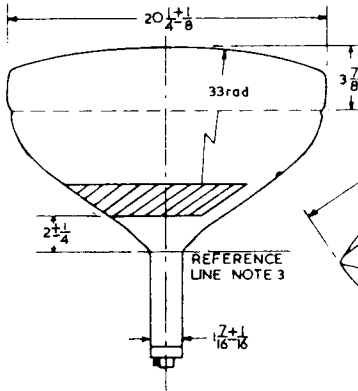
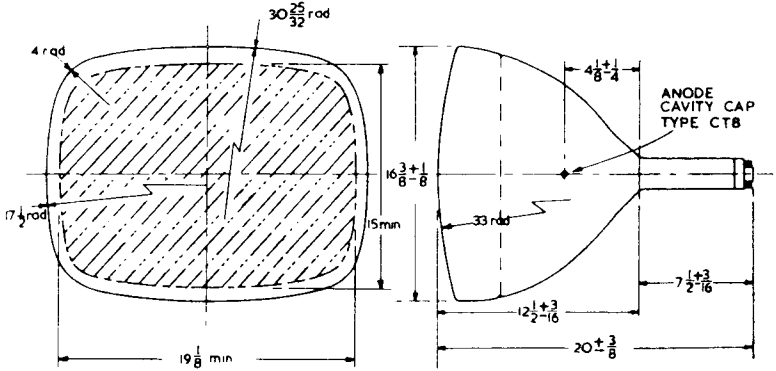
Grid to all	7 pF approx.
Cathode to all	5 pF approx.
Final Anode to External Coating	700 pF approx.

NOTES:

- A. No harmful X-ray radiation is produced by this tube when operated at final anode voltages below 16 kV. At voltages above 16 kV some shielding may be necessary to protect against prolonged exposure at close range.
- B. Shift magnets, when used, should be mounted in such a position that they do not interfere with the passage of the electron beam through the gun. This position is normally immediately behind the screening coils.

C21SM & C21TM

VAD/392-4B



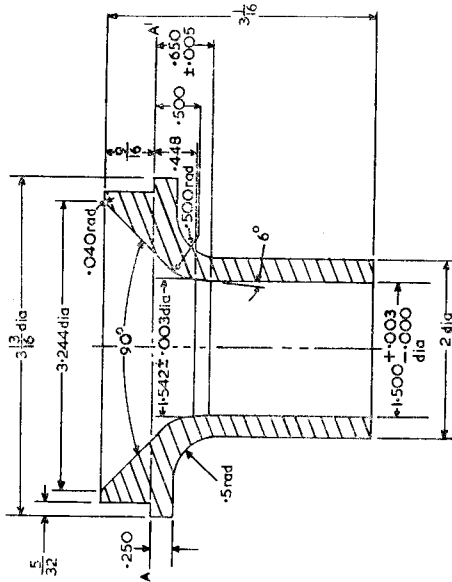
NOTES

1. ALL DIMENSIONS IN INCHES
2. ANODE 2 CONTACT IN LINE $\pm 30^\circ$ WITH VACANT BASE PIN No 6
3. REFERENCE LINE DETERMINED BY POSITION OF GAUGE RETMA No 116

REFERENCE LINE GAUGE

RMA 116 for types
C2ISM & C2ITM

VAD/392-30



NOTE.

1. ALL DIMENSIONS IN INCHES
2. YOKE REFERENCE LINE IS DETERMINED BY PLANE A-A' WHEN NECK OF BULB IS SEATED AGAINST EDGE

