

CHARACTERISTICS

GENERAL DATA

Focusing Method	Electrostatic
Deflection Method	Magnetic
Deflection Angles (approx.)	
Horizontal	105 Degrees
Diagonal	110 Degrees
Vertical	87 Degrees
Phosphor	Aluminized P4
Fluorescence	White
Persistence	Short to Medium
Faceplate	Gray Filter Glass
Light Transmittance (approx.)	74 Percent

ELECTRICAL DATA

Heater Voltage	6.3 Volts	
Heater Current	0.6 ± 5% Ampere	
Heater Warm-up Time ¹	11 Seconds	
Direct Interelectrode Capacitances (approx.)		
Cathode to All Other Electrodes	5 μmf	
Grid No. 1 to All Other Electrodes	6 μmf	
External Conductive Coating to Anode ²	2500 μmf	Max.
	2000 μmf	Min.

MECHANICAL DATA

Minimum Useful Screen Dimensions (Maximum Assured)	
Height	16 ⁷ / ₈ Inches
Width	21 ¹ / ₁₆ Inches
Diagonal	22 ³ / ₁₆ Inches
Area	332 Sq. Inches
Bulb	J192C1 or Equivalent
Bulb Contact (Recessed Small Cavity Cap)	J1-21
Base	B6-185
Basing	7FA
Weight (approx.)	26 ¹ / ₂ Pounds

RATINGS

MAXIMUM RATINGS (Absolute Maximum Values)

Anode Voltage	22,000 Volts	dc
Grid No. 4 Voltage (Focusing Electrode)	-550 to +1100 Volts	dc
Grid No. 2 Voltage	550 Volts	dc
Grid No. 1 Voltage		
Negative Bias Value	154 Volts	dc
Negative Peak Value	220 Volts	
Positive Bias Value	0 Volts	dc
Positive Peak Value	2 Volts	
Peak Heater-Cathode Voltage		
Heater Negative with Respect to Cathode		
During Warm-up Period Not to		
Exceed 15 Seconds	450 Volts	
After Equipment Warm-up Period	200 Volts	
Heater Positive with Respect to Cathode	200 Volts	

TYPICAL OPERATING CONDITIONS

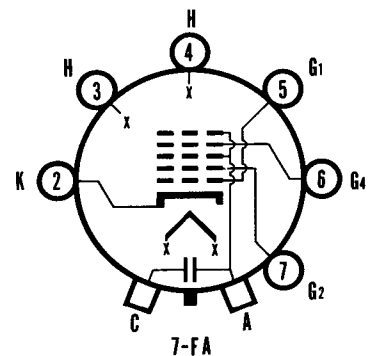
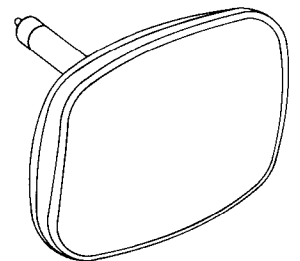
Anode Voltage	16,000 Volts	dc
Grid No. 4 Voltage for Focus	0 to +400 Volts	dc
Grid No. 2 Voltage	300 Volts	dc
Grid No. 1 Voltage Required for Cutoff ³	-35 to -72 Volts	dc

CIRCUIT VALUES

Grid No. 1 Circuit Resistance	1.5 Megohms Max.
---	------------------

QUICK REFERENCE DATA

- Television Picture Tube
- 24" Direct Viewed
- Rectangular Glass Type
- Lightweight Tube
- Spherical Faceplate
- Gray Filter Glass
- Aluminized Screen
- Electrostatic Focus
- 110° Magnetic Deflection
- 1¹/₈" Neck Diameter
- No Ion Trap
- External Conductive Coating



SYLVANIA ELECTRIC PRODUCTS INC.

TELEVISION PICTURE TUBE DIVISION
SENECA FALLS, NEW YORK

Prepared and Released By The
TECHNICAL PUBLICATIONS SECTION
EMPORIUM, PENNSYLVANIA

NOVEMBER, 1957

PAGE 1 OF 3

NOTES:

1. *Heater warm-up time is defined as the time required for the voltage across the heater to reach 80% of its rated value after applying four (4) times rated heater voltage to a circuit consisting of the tube heater in series with a resistance equal to three (3) times rated heater voltage divided by rated heater current.*
2. *External conductive coating must be grounded.*
3. *Visual extinction of focused raster. Extinction of stationary focused spot will require that these values be about 5 volts more negative.*

WARNING:

X-ray radiation shielding may be necessary to protect against possible danger of personal injury from prolonged exposure at close range if this tube is operated at higher than the manufacturer's Maximum Rated Anode Voltage or 16,000 volts, whichever is less.

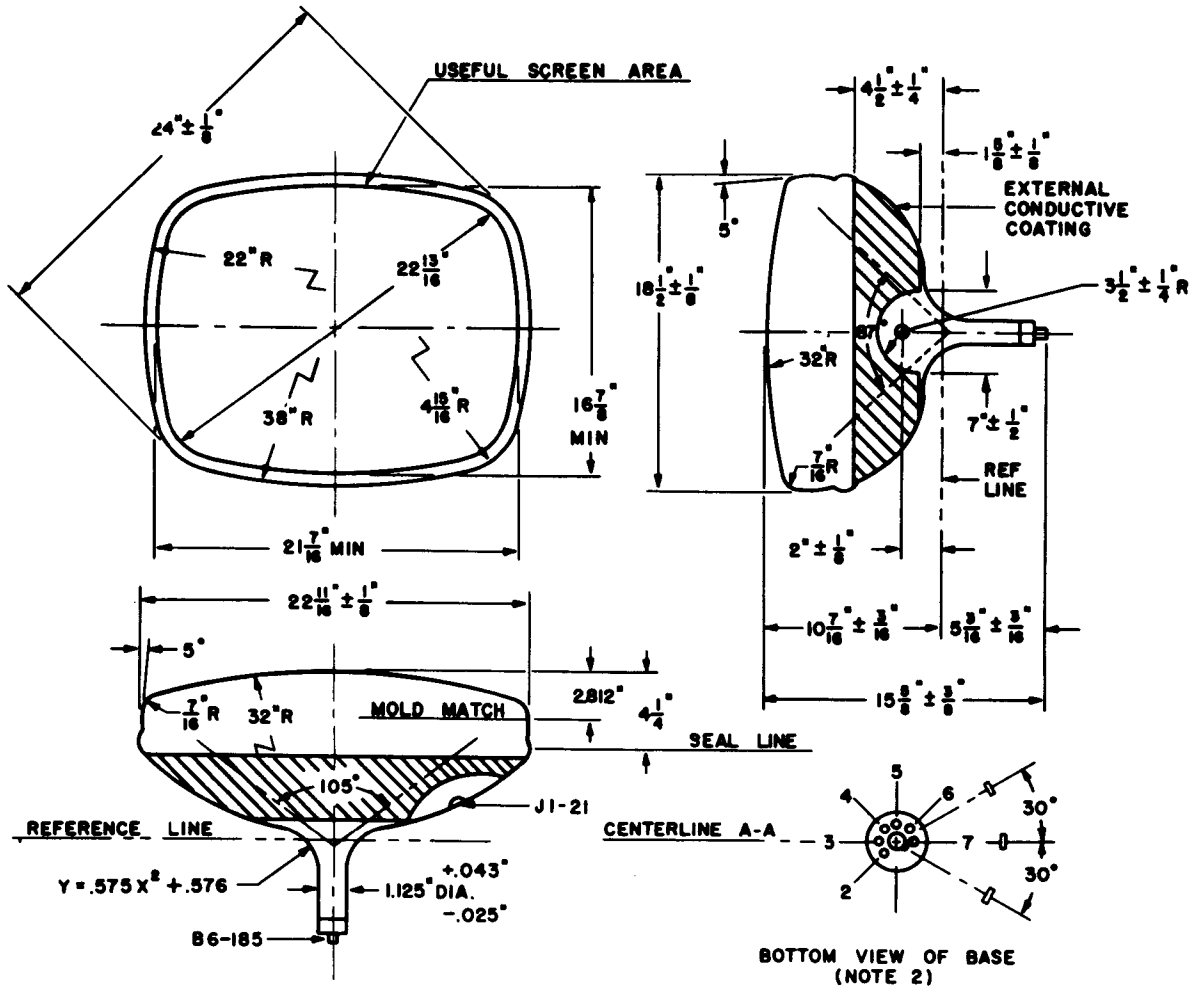


DIAGRAM NOTES:

1. Reference line is determined by plane C-C of JETEC No. 126 Reference Line Gauge, when the gauge is seated against the bulb.
2. Base pin No. 7 aligns with horizontal centerline within 30° , and is on same side as anode contact (J1-21).