

Vacuum Photocell**Quartz Envelope****GENERAL**

Spectral Response	Type QA.
Wavelength of Maximum Response	3700 \pm 500 A.U.
Cathode :	
Shape	V - shaped cross section.
Projected Width	25 mm.
Length	40 mm.
Anode	Cylindrical wire mesh.
Inter-electrode Capacitance	8 μ f.
Maximum Overall Length	120 mm.
Length to Cathode centre	75 mm. approx.
Maximum bulb diameter	36 mm.
Mounting position	Any.
Basing	Flying Leads.
Base Connections	Green - Cathode. Red - Anode.

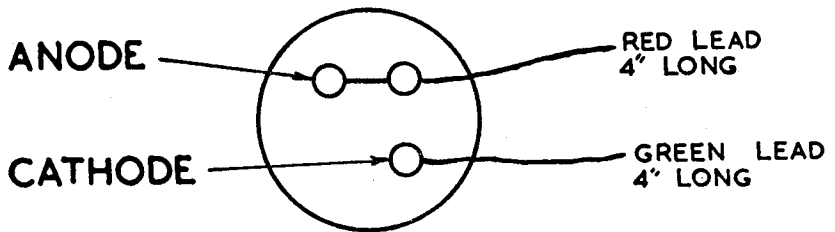
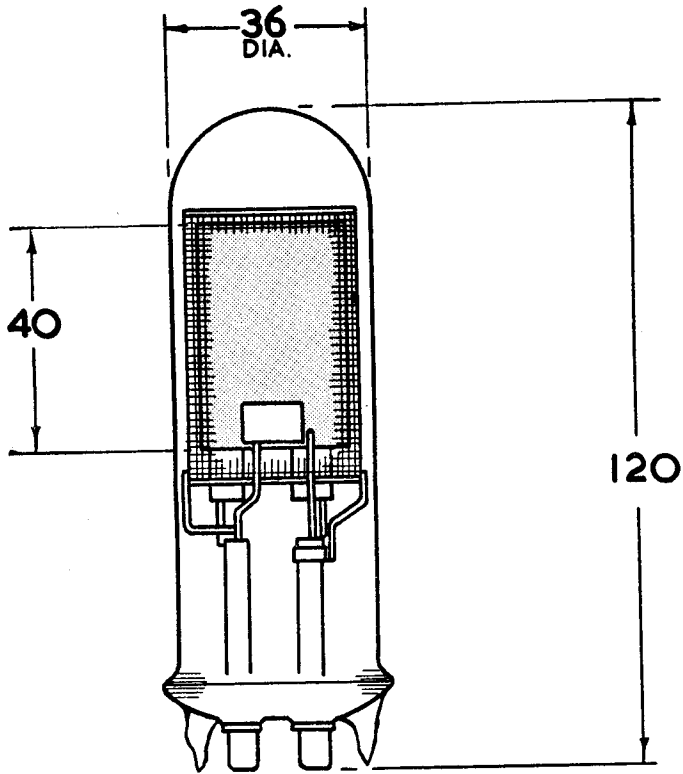
Maximum Ratings

Anode Supply Voltage (DC or peak AC)	50.
Average cathode current	1 μ A.
Peak cathode current	4 μ A.
Ambient Temperature	50°C.

Characteristics

Operating voltage	30-50.
Maximum dark current at 30 volts	5 x 10 ⁻¹² amps.
*Minimum sensitivity at operating voltage	20 μ A/lumen.

*Measured with an incandescent tungsten filament at a colour temperature of 2700°K.



ALL SIZES IN MILLIMETRES.

SPECTRAL SENSITIVITY CURVES

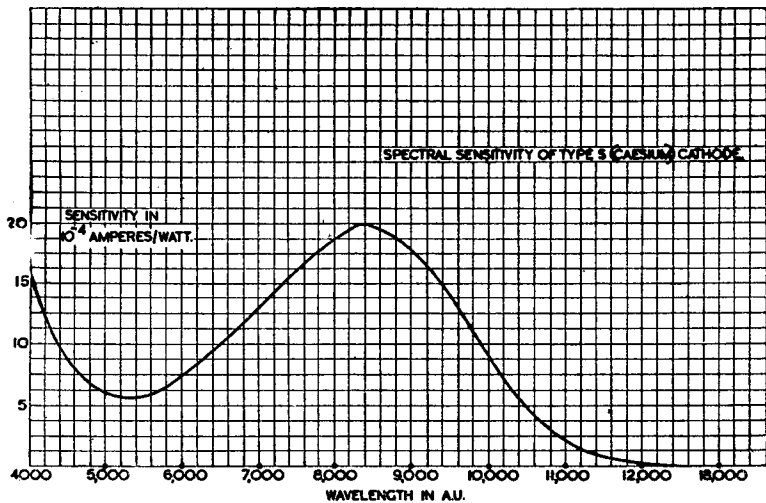


Fig. 1

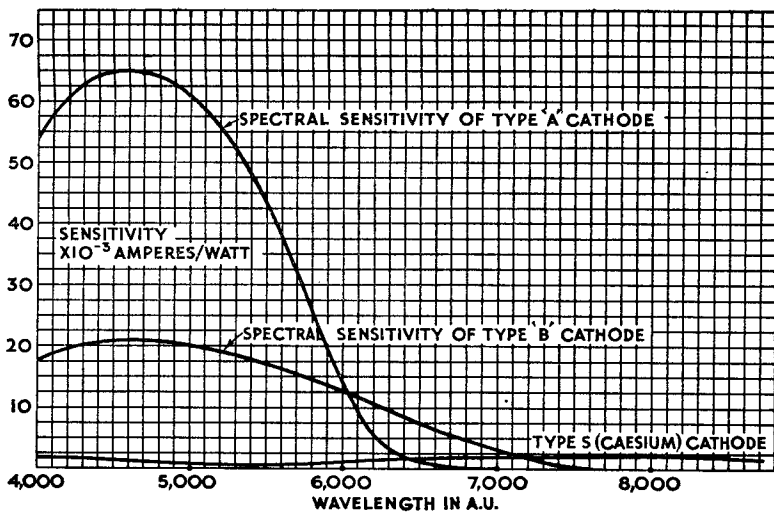


Fig. 2

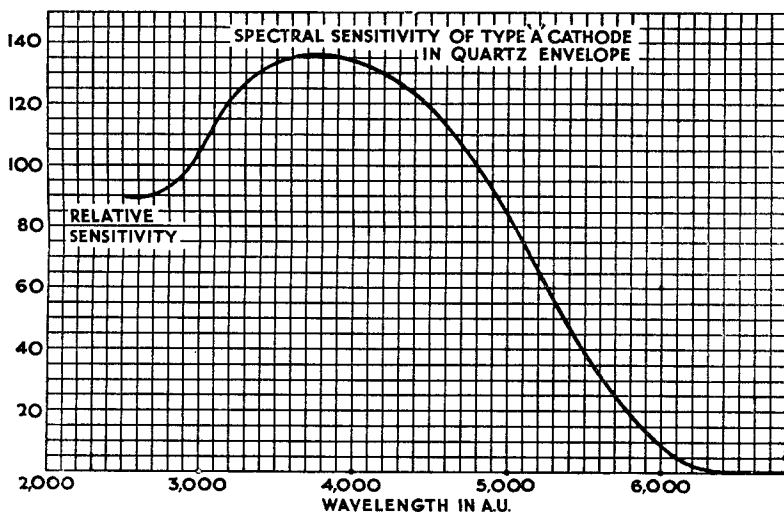


Fig. 3