



ELECTRICAL DATA

RATINGS

Transmitter Peak Power (min.) 4 kw

GENERAL DATA

Center Frequency 8800 mc
Loaded Q (max.) 8.0

Low Level Characteristics:

Equivalent Conductance at
Center Frequency (max.) 0.06

Tuning Susceptance at
Center Frequency ± 0.06

High Level Characteristics:

Firing Time (max.) (1) 10 sec
Arc Loss (max.) (1) 0.6 db

NOTES:

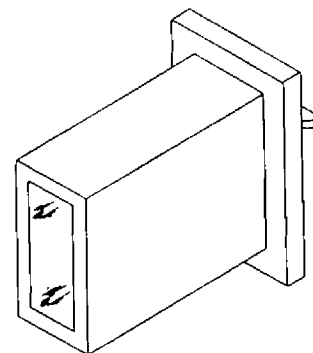
- (1) Tested with line RF power of 4 kw peak;
0.45 to 0.65 usec pulse length; 1000 pps;
and $9025 \pm 4\%$ mc.

MECHANICAL DATA

Dimensions: Per outline.
Mounting Position: Any.
Ambient Temperature Range: -40°C to $+100^{\circ}\text{C}$

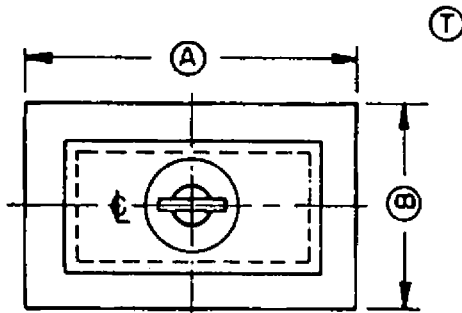
QUICK REFERENCE DATA

The Sylvania Type 5883 is an anti-transmit-receive tube designed for use at a center frequency of 8800 megacycles.



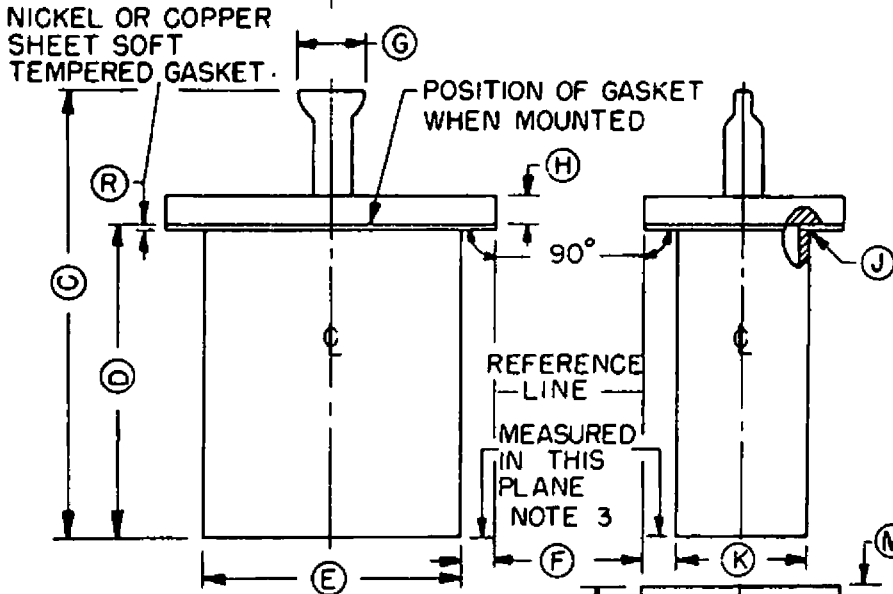
SYLVANIA ELECTRIC
PRODUCTS, INC.
Electronics Division
Woburn, Mass.

AUGUST 25, 1954



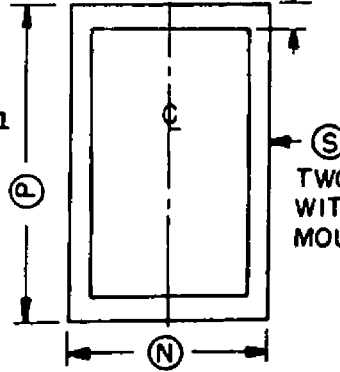
Ⓣ THE TUBULATION SHALL FALL WITHIN A CIRCLE OF $\frac{3}{8}$ DIA MAX LOCATED FROM THE CENTER LINES OF THE FLANGE.

AS AN ALTERNATE DESIGN SEAL OFF CAP MAY BE ROUNDED OFF



REF	DIMENSION
A	1.300 ± .003
B	.800 ± .003
C	1 13/16 MAX
D	1.299 ± .003
E	1.000 ± .010
F	.142 MIN
G	1/4 MAX
H	.125 ± .008
J	.020 R MAX
K	.500 ± .010
M	.100 ± .006
N	.800 ± .003
P	1.300 ± .003 .005
R	.003 ± .0005

- Note 1. Silver plate 100 MSI or equivalent.
- Note 2. Center lines of window shall coincide with corresponding center lines of box within .015 this measurement shall be made in the plane of the window.
- Note 3. Applies at all edges of bottom face only.



Ⓢ TWO GASKETS SUPPLIED WITH TUBE BUT NOT MOUNTED