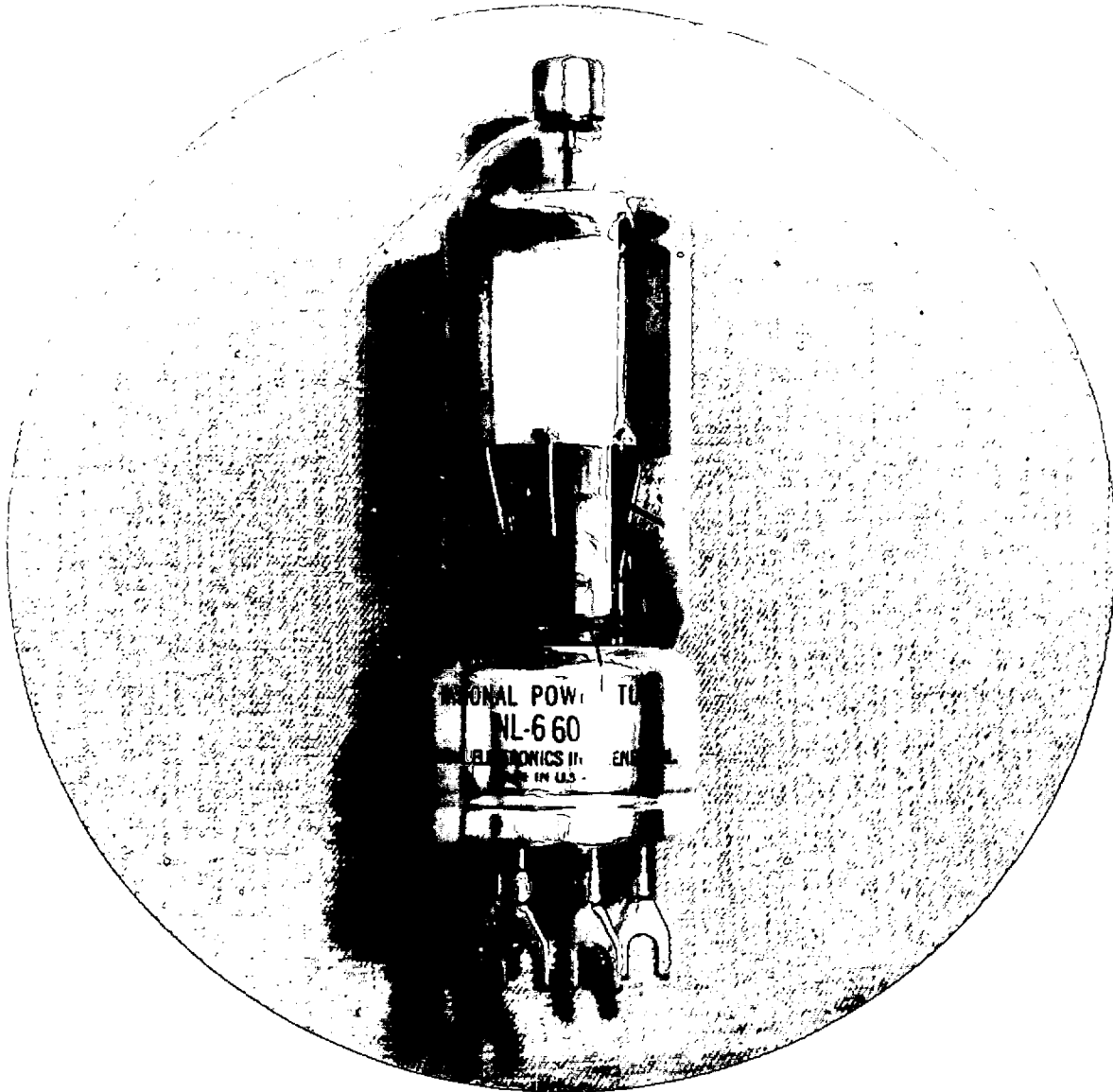


RECTIFIER TUBE

from JEDEC release #3271,
May 15, 1961

NL-660L/7786
RECTIFIER TUBE
6.4 Amperes dc



NATIONAL POWER TUBE NL-660L/7786 is a sturdy rectifier tube designed especially for industrial power rectifier applications up to 250 volts dc. The NL-660L/7786 is particularly useful in those circuits that require a tube with a high commutation factor rating. It is inert gas filled to give quick starting, efficiency, compactness, and the ability to operate within very wide temperature limits. NL-660L/7786 utilizes the NATIONAL lug base as a standard feature. It is also available with the four-pin base and bracket type base for panel mounting under the type numbers NL-660 and NL-660P, respectively.

NATIONAL ELECTRONICS, INC.

A SUBSIDIARY OF EITEL-McCULLOUGH, INC.
GENEVA, ILLINOIS, U. S. A.

NL-660L/7786 TUBE
TECHNICAL INFORMATION
INERT GAS FILLED RECTIFIER

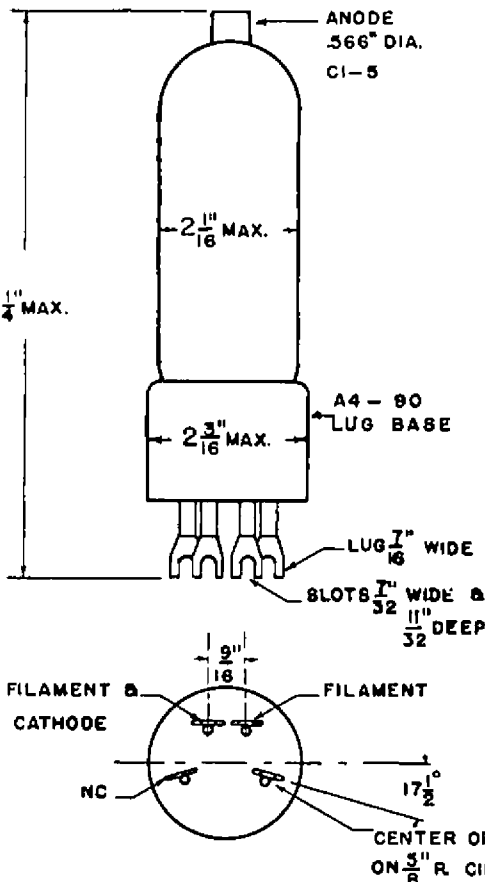
dc Amperes output (maximum)	6.4
Instantaneous Amperes output (maximum)	80
Maximum time of averaging anode current (seconds)	7
Maximum peak inverse volts	920
Filament volts	2.5
Filament amperes	21 ± 2
Filament heating time (seconds)	60
Typical arc drop at 20 amperes peak (volts)	10
Typical Anode starting voltage (volts)	20
Maximum ac short circuit current (amperes)	770
Ambient temperature limits (°C)	-55 to +75
Maximum commutation factor (A/u sec. × V/u sec.)	130
Mounting position	Any
Net weight (ounces)	6
Approximate shipping weight (lbs.)	4

LIGHT FILAMENT BEFORE APPLYING LOAD

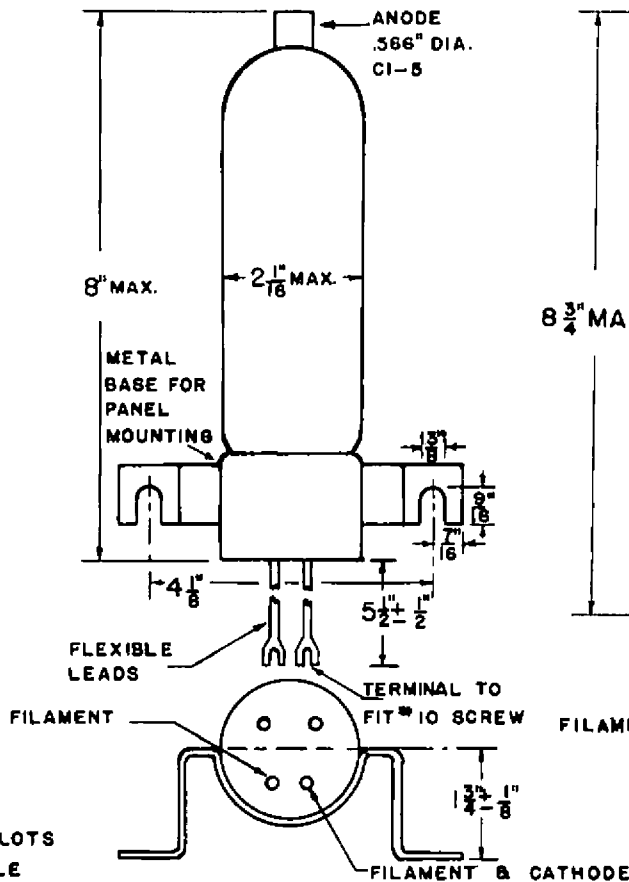
ALL DATA ARE BASED ON RETURNS TO FILAMENT TRANSFORMER CENTER TAP

OUTLINE DRAWINGS

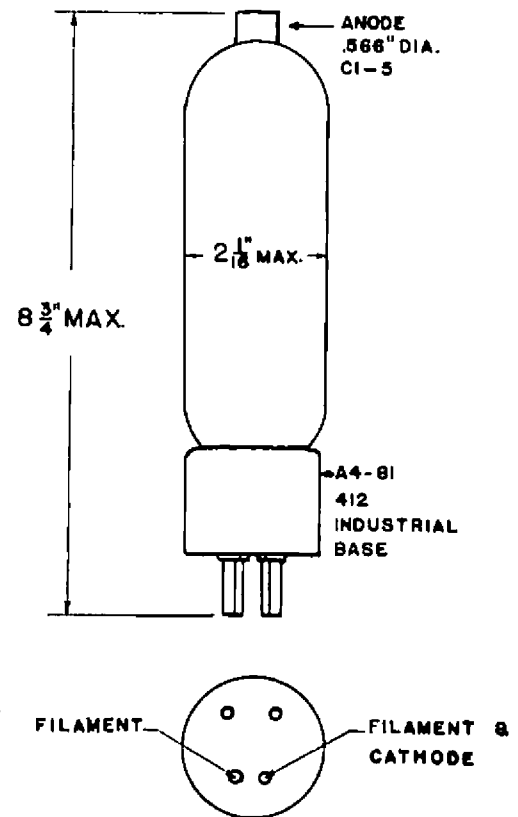
NL-660L/7786



NL-660P



NL-660



Printed in U S A 12/60

NATIONAL ELECTRONICS, INC.

A SUBSIDIARY OF EITEL-McCULLOUGH, INC.
GENEVA, ILLINOIS, U. S. A.